

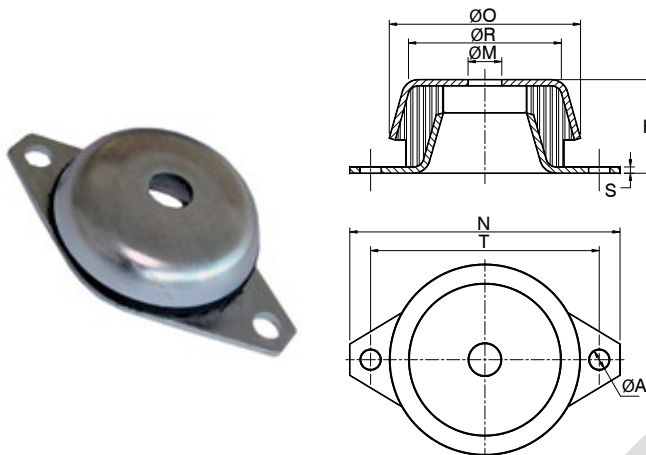
"Bell" Antivibration Mountings

Uses:

- Electric boards and electric motors
- Generators
- Air-compressors
- Air-conditioning plants

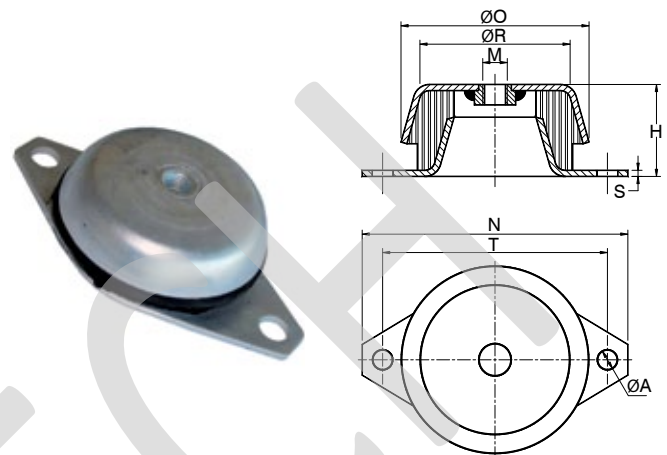


With a passer-by hole



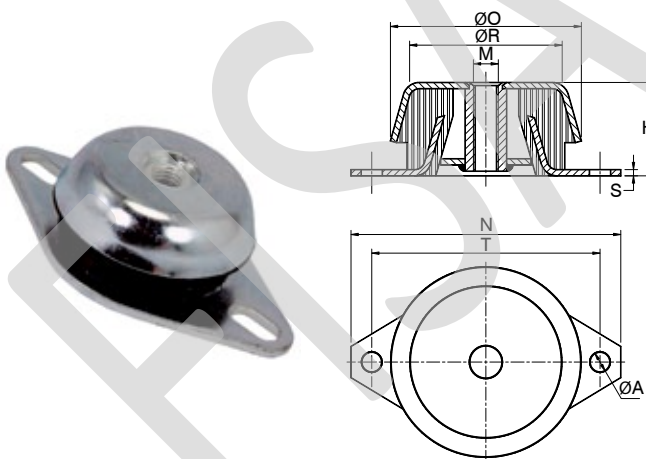
Code	Sizes								Statistics	
	ØO	ØR	ØM	ØA	N	T	H	S	Load**	Setting
	mm	mm	mm	mm	mm	mm	mm	mm	daN	mm
3100	48	37,5	8,2	6,2	80	68	23	1,5	100	2,3
3101	62	50,0	10,2	8,2	100	85	30	2	175	3,0
3102	92	73,5	16,2	10,2	130	110	45	3	570	4,6
3105*	106	81,0	20	14x18	172	138x146	38	3	600	3,0
3103	119	98,5	24,2	16,2	190	160	50	5	1300	4,5

With nut



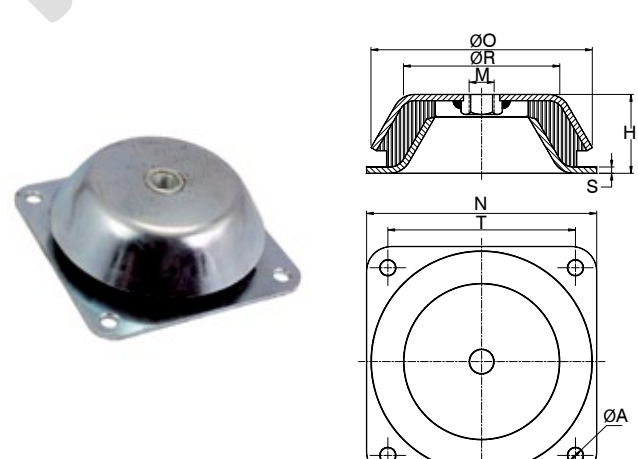
Code	Sizes								Statistics	
	ØO	ØR	M	ØA	N	T	H	S	Load**	Setting
	mm	mm	mm	mm	mm	mm	mm	mm	daN	mm
3200	48	38,0	M8	6,2	80	68	23	1,5	100	2,3
3201	62	50,0	M10	8,2	100	85	30	2	175	3,0
3202	92	73,5	M12	10,2	130	110	45	3	570	4,6
3205*	106	81,0	M12	14x18	172	138x146	38	3	600	3,0
3203	119	98,5	M16	16,2	190	160	50	5	1300	4,5

With pad



Code	Sizes								Statistics	
	ØO	ØR	M	ØA	N	T	H	S	Load**	Setting
	mm	mm	mm	mm	mm	mm	mm	mm	daN	mm
3301	62	50,0	M10	8,2	100	85	30	2	175	3,0
3302	92	73,5	M12	10,2	130	110	45	3	570	4,6
3305*	106	81,0	M12	14x18	172	138x146	38	3	600	3,0
3303	119	98,5	M16	16,2	190	160	50	5	1300	4,5

With a square base



Code	Sizes								Statistics	
	ØO	ØR	M	ØA	N	T	H	S	Load**	Setting
	mm	mm	mm	mm	mm	mm	mm	mm	daN	mm
3406	150	110	M16	12,5	168	132	51,5	4	1000	2,5
3407	177	125	M20	13,0	184	150	63	5	1800	2,2

Standard hardness 55 shore

On request 45/65 shore

* 2 oval clamping holes

** Under compression

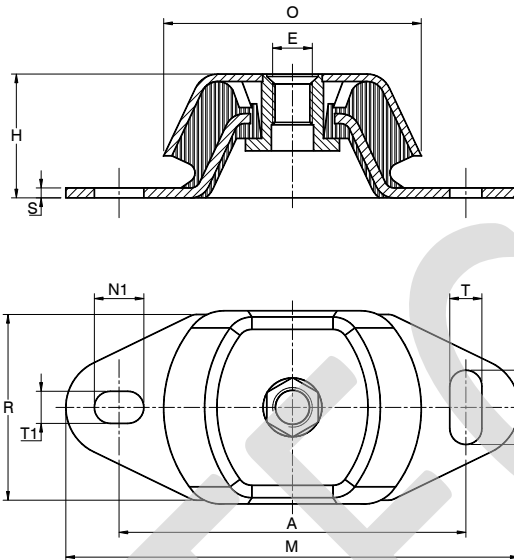
"Bell" Antivibration Mounting with a Rectangular Cap

Type SR

"Bell" antivibration mounting with a rectangular cap, two clamping holes and white zinking.

Uses:

- Generators
- Electric Motors
- Instruments
- Agricultural Machineries



Code	Hardness Shore A	O mm	R mm	M mm	A mm	NxT (N1xT1) mm	H mm	E mm	S mm	Max Load* daN
7500/45	40/45	80	60	120	100	14x11	38	M12	3	40
7500/50	47/53	80	60	120	100	14x11	38	M12	3	60
7500/60	55/60	80	60	120	100	14x11	38	M12	3	85
7500/70	65/70	80	60	120	100	14x11	38	M12	3	120
7501/35	35/40	104	75	183	140	30x13 (20x13)	49	M16	4	90
7501/45	40/45	104	75	183	140	30x13 (20x13)	49	M16	4	145
7501/60	55/60	104	75	183	140	30x13 (20x13)	49	M16	4	190
7501/70	65/70	104	75	183	140	30x13 (20x13)	49	M16	4	305
7501/80	75/80	104	75	183	140	30x13 (20x13)	49	M16	4	425
7502/45	40/45	132	112	230	182	34x18 (26x18)	71	M20	5	330
7502/60	55/60	132	112	230	182	34x18 (26x18)	71	M20	5	500
7502/70	65/70	132	112	230	182	34x18 (26x18)	71	M20	5	720
7502/80	75/80	132	112	230	182	34x18 (26x18)	71	M20	5	880

* Under compression

Technical Articles on Drawing

Thanks to forty-year experience in the field of antivibration mountings, manufactures industrial articles and metal/rubber items on drawing for several applications. Here below you can see some of them developed and produced during these years in order to fulfil our own customers' request. Our technical department, by the help of a powerful designing software, PRO-ENG, gives customers "key in hand" as to offer them solutions starting from the very first step of antivibration mountings project to reverse engineering.

OUR MAIN APPLICATION FIELDS:

Spare parts for earthmoving machines
"Special" items for hydraulic breakers
Supports for waste collection machines
Supports for bio-medical machines
"Special" mounts by polyurethane



BUILDING



AGRICULTURE



NAVAL



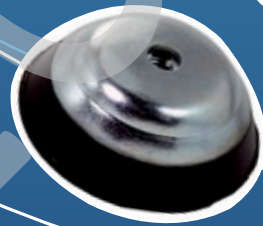
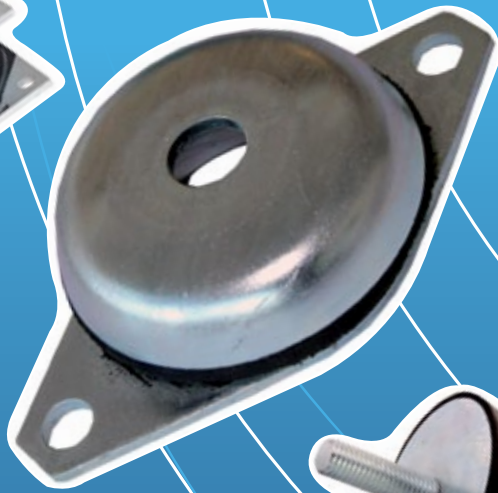
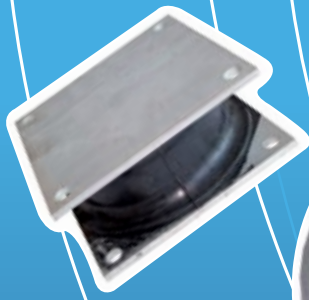
AUTOMOTIVE



INDUSTRY



**DO NOT HESITATE TO GET IN TOUCH
WITH US FOR AN ENQUIRY!**



FISATECH