

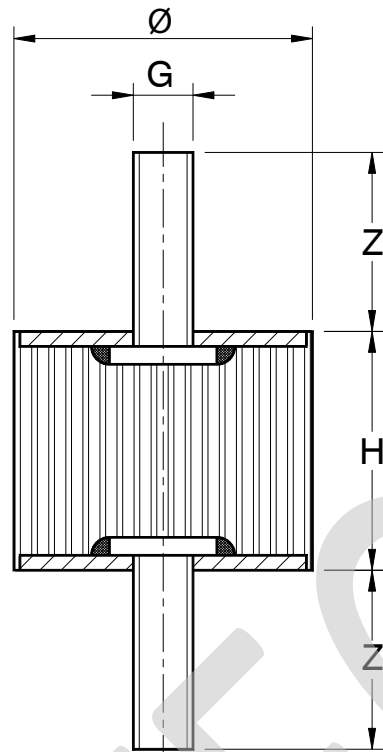


## Cylindrical Antivibration Mountings

### Type A-MM

Uses:

- Generators
- Electric Motors
- Instruments
- Agricultural Machineries



Antivibration mountings with two fastening screws and white zinking.



Code	Ø mm	H mm	G	Z mm	Max Load* (daN)
163	6	7	M3	5	2
164	8	8	M3	6	3
165	10	10	M4	10	7
166	15	8	M4	10	10
124	15	10	M4	10	10
125	15	15	M4	10	10
126	15	20	M4	10	10
127	15	25	M4	10	10
128	15	30	M4	10	10
169	20	8	M6	20	18
170	20	13	M6	20	18
114	20	15	M6	20	18
129	20	20	M6	20	18
115	20	25	M6	20	18
162	20	30	M6	20	18
130	25	15	M6	20	29
171	25	17	M6	20	29
101	25	20	M6	20	29
161	25	25	M6	20	29
131	25	30	M6	20	29
132	30	15	M8	25	42
116	30	20	M8	25	42
117	30	25	M8	25	42
111	30	30	M8	25	42
167	30	40	M8	25	42
103	30	15	M6/8	20/25	42
172	40	15	M8	25	75
160	40	20	M8	25	75
104	40	30	M8	25	75
134	40	35	M8	25	75
135	40	40	M8	25	75
136	40	45	M8	25	75
168	40	50	M8	25	75
138	50	20	M10	30	117

Code	Ø mm	H mm	G	Z mm	Max Load* (daN)
139	50	25	M10	30	117
106	50	30	M10	30	117
168/B	50	35	M10	30	117
140	50	40	M10	30	117
107	50	45	M10	30	117
141	50	50	M10	30	117
142	60	20	M12	40	169
118	60	30	M12	40	169
143	60	40	M12	40	169
112	60	50	M12	40	169
144	60	60	M12	40	169
145	65	50	M12	40	199
146	70	40	M12	40	230
147	70	45	M12	40	230
148	70	50	M12	40	230
149	75	25	M12	40	265
150	75	30	M12	40	265
108	75	40	M12	40	265
158	75	45	M12	40	265
109	75	50	M12	40	265
119	75	55	M12	40	265
151	75	60	M12	40	265
120	100	40	M16	47	471
110	100	50	M16	47	471
153	100	55	M16	47	471
121	100	60	M16	47	471
122	100	80	M16	47	471
154	100	100	M16	47	471
113	125	50	M16	45	736
155	125	60	M16	45	736
156	125	70	M16	45	736
123	125	80	M16	45	736
157	150	75	M16	45	1060
159	200	100	M20	45	1884

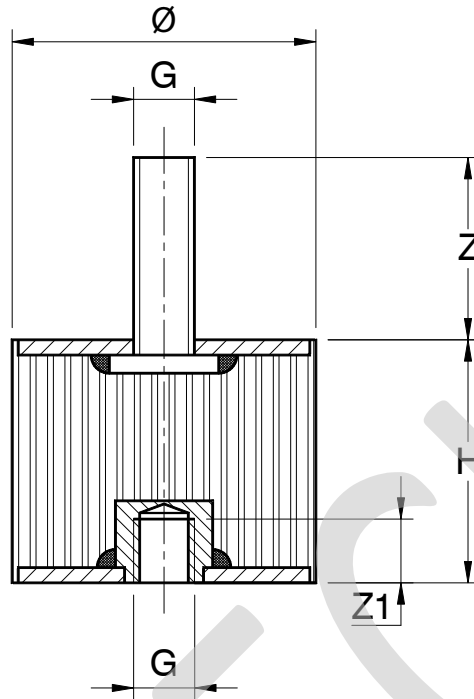
Standard hardness 55 shore  
On request 45/65 shore  
\* Under compression

## Cylindrical Antivibration Mountings

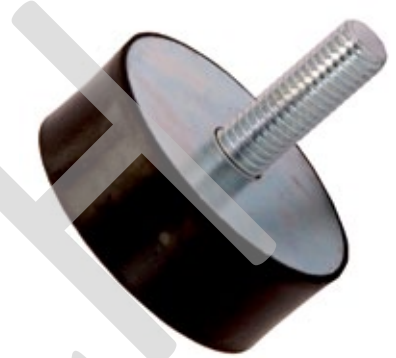
### Type B-MF

Uses:

- Generators
- Electric Motors
- Instruments
- Agricultural Machineries



Antivibration mountings with a fastening screw, a fastening nut and white zinking.



Code	Ø mm	H mm	G	Z/Z1 mm	Max Load* (daN)
958	8	8	M3	6/3	3
959	10	10	M4	10/4	7
923	15	15	M4	10/4	10
924	15	20	M4	10/4	10
925	15	25	M4	10/4	10
926	15	30	M4	10/4	10
956	20	15	M6	20/6	18
927	20	20	M6	20/6	18
913	20	25	M6	20/6	18
957	20	30	M6	20/6	18
953	25	15	M6	20/6	29
901	25	20	M6	20/6	29
956/B	25	25	M6	20/6	29
928	25	30	M6	20/6	29
914	30	20	M8	25/7	42
915	30	25	M8	25/7	42
903	30	30	M8	25/7	42
960	30	40	M8	25/7	42
955	40	20	M8	25/7	75
904	40	30	M8	25/7	75
930	40	35	M8	25/7	75
931	40	40	M8	25/7	75
932	40	45	M8	25/7	75
961	40	50	M8	25/7	75
934	50	20	M10	30/7	117
935	50	25	M10	30/7	117
906	50	30	M10	30/7	117
961/B	50	35	M10	30/7	117
936	50	40	M10	30/7	117
907	50	45	M10	30/7	117

Code	Ø mm	H mm	G	Z/Z1 mm	Max Load* (daN)
937	50	50	M10	30/7	117
938	60	20	M12	40/10	169
916	60	30	M12	40/10	169
939	60	40	M12	40/10	169
908	60	50	M12	40/10	169
940	60	60	M12	40/10	169
941	65	50	M12	40/10	199
942	70	40	M12	40/10	230
943	70	45	M12	40/10	230
944	70	50	M12	40/10	230
945	75	25	M12	40/10	265
946	75	30	M12	40/10	265
917	75	40	M12	40/10	265
947	75	45	M12	40/10	265
909	75	50	M12	40/10	265
918	75	55	M12	40/10	265
948	75	60	M12	40/10	265
919	100	40	M16	47/16	471
910	100	50	M16	47/16	471
949	100	55	M16	47/16	471
920	100	60	M16	47/16	471
921	100	80	M16	47/16	471
911	100	100	M16	47/16	471
912	125	50	M16	45/18	736
950	125	60	M16	45/18	736
951	125	70	M16	45/18	736
922	125	80	M16	45/18	736
952	150	75	M16	45/18	1060
954	200	100	M20	45/21	1884

Standard hardness 55 shore  
On request 45/65 shore  
\* Under compression

## Cylindrical Antivibration Mountings

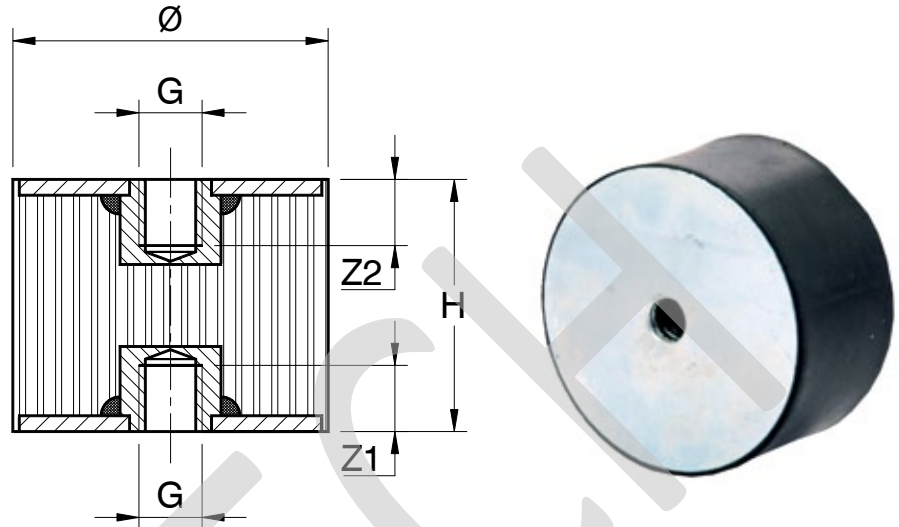
### Type C-FF

Uses:

- Generators
- Electric Motors
- Instruments
- Agricultural Machineries



Antivibration mountings with two fastening nuts and white zinking.



Code	Ø mm	H mm	G	Z1/Z2 mm	Max Load* (daN)
1049	15	15	M4	4/4	10
1023	15	20	M4	4/4	10
1024	15	25	M4	4/4	10
1025	15	30	M4	4/4	10
1048	20	15	M6	6/6	18
1026	20	20	M6	6/6	18
1013	20	25	M6	6/6	18
1052	20	30	M6	6/6	18
1001	25	20	M6	6/6	29
1051	25	25	M6	6/6	29
1027	25	30	M6	6/6	29
1014	30	20	M8	7/7	42
1015	30	25	M8	7/7	42
1003	30	30	M8	7/7	42
1053	30	40	M8	7/7	42
1050	40	20	M8	7/7	75
1004	40	30	M8	7/7	75
1029	40	35	M8	7/7	75
1030	40	40	M8	7/7	75
1031	40	45	M8	7/7	75
1054	40	50	M8	7/7	75
1006	50	30	M10	7/7	117
1054/B	50	35	M10	7/7	117
1033	50	40	M10	7/7	117
1007	50	45	M10	7/7	117
1034	50	50	M10	7/7	117

Code	Ø mm	H mm	G	Z1/Z2 mm	Max Load* (daN)
1016	60	30	M12	10/10	169
1035	60	40	M12	10/10	169
1008	60	50	M12	10/10	169
1036	60	60	M12	10/10	169
1037	65	50	M12	10/10	199
1038	70	40	M12	10/10	230
1039	70	45	M12	10/10	230
1040	70	50	M12	10/10	230
1017	75	40	M12	10/10	265
1041	75	45	M12	10/10	265
1009	75	50	M12	10/10	265
1018	75	55	M12	10/10	265
1042	75	60	M12	10/10	265
1019	100	40	M16	16/16	471
1010	100	50	M16	16/16	471
1043	100	55	M16	16/16	471
1020	100	60	M16	16/16	471
1021	100	80	M16	16/16	471
1011	100	100	M16	16/16	471
1012	125	50	M16	18/18	736
1044	125	60	M16	18/18	736
1045	125	70	M16	18/18	736
1022	125	80	M16	18/18	736
1046	150	75	M16	18/18	1060
1047	200	100	M20	21/21	1884

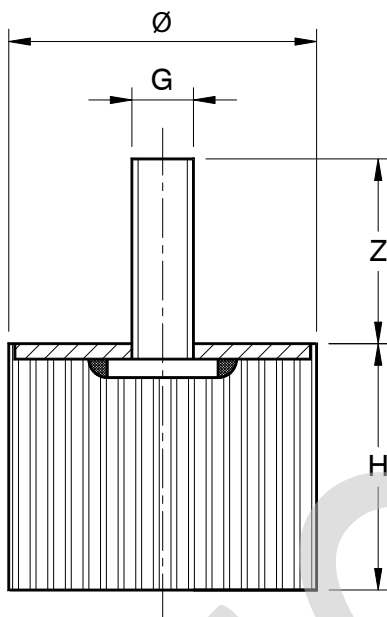
Standard hardness 55 shore  
On request 45/65 shore  
\* Under compression

## Cylindrical Antivibration Mountings

### Type D-PM

Uses:

- Generators
- Electric Motors
- Instruments
- Agricultural Machineries



Antivibration mountings  
with a fastening screw  
and white zinking.



Code	Ø mm	H mm	G	Z mm	Max Load* (daN)
867	6	7	M3	5	2
868	8	8	M3	6	3
869	10	10	M4	7	7
870	15	8	M4	10	10
825	15	10	M4	10	10
826	15	15	M4	10	10
827	15	20	M4	10	10
828	15	25	M4	10	10
829	15	30	M4	10	10
874	20	8	M6	20	18
875	20	13	M6	20	18
830	20	15	M6	20	18
831	20	20	M6	20	18
811	20	25	M6	20	18
866	20	30	M6	20	18
801	25	15	M6	20	29
871	25	17	M6	20	29
812	25	20	M6	20	29
865	25	25	M6	20	29
832	25	30	M6	20	29
872	30	8	M8	25	42
876	30	10	M8	25	42
833	30	15	M8	25	42
814	30	20	M8	25	42
815	30	25	M8	25	42
803	30	30	M8	25	42
873	30	40	M8	25	42
877	40	10	M8	25	75
878	40	15	M8	25	75
861	40	20	M8	25	75
804	40	30	M8	25	75
835	40	35	M8	25	75
836	40	40	M8	25	75
837	40	45	M8	25	75
874/B	40	50	M8	25	75
863	50	10	M10	30	117
862	50	15	M10	30	117

Code	Ø mm	H mm	G	Z mm	Max Load* (daN)
839	50	20	M10	30	117
840	50	25	M10	30	117
805	50	30	M10	30	117
879	50	35	M10	30	117
841	50	40	M10	30	117
817	50	45	M10	30	117
842	50	50	M10	30	117
864	50	60	M8	24	117
843	60	20	M12	40	169
818	60	30	M12	40	169
844	60	40	M12	40	169
806	60	50	M12	40	169
845	60	60	M12	40	169
846	65	50	M12	40	199
847	70	40	M12	40	230
848	70	45	M12	40	230
849	70	50	M12	40	230
850	75	25	M12	40	265
851	75	30	M12	40	265
819	75	40	M12	40	265
852	75	45	M12	40	265
807	75	50	M12	40	265
820	75	55	M12	40	265
853	75	60	M12	40	265
821	100	40	M16	47	471
808	100	50	M16	47	471
854	100	55	M16	47	471
855	100	60	M16	47	471
809	100	80	M16	47	471
856	100	100	M16	47	471
823	125	50	M16	45	736
857	125	60	M16	45	736
858	125	70	M16	45	736
824	125	80	M16	45	736
859	150	75	M16	45	1060
860	200	100	M20	45	1884

Standard hardness 55 shore  
On request 45/65 shore  
\* Under compression

## Cylindrical Antivibration Mountings

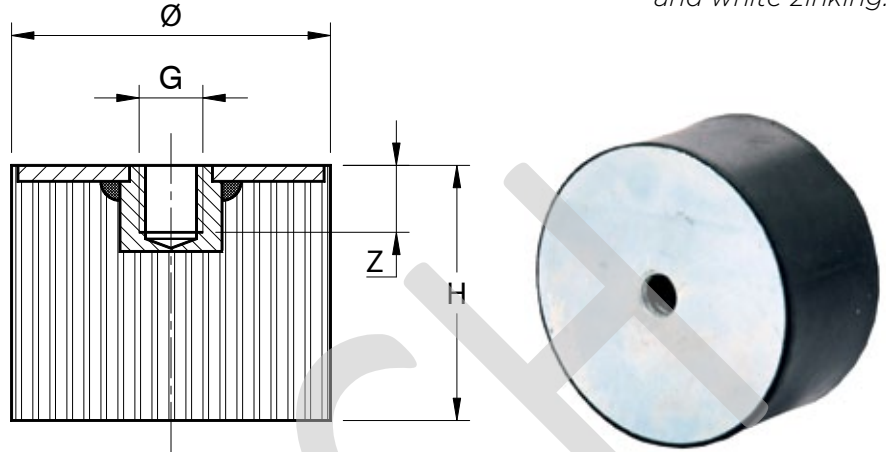
### Type E-PF

Uses:

- Generators
- Electric Motors
- Instruments
- Agricultural Machineries



Antivibration mountings  
with a fastening nut  
and white zinking.



Code	Ø mm	H mm	G	Z mm	Max Load* (daN)
2070	6	7	M3	3	2
2061	8	8	M3	3	3
2062	10	10	M4	4	7
2023	15	15	M4	4	10
2024	15	20	M4	4	10
2025	15	25	M4	4	10
2026	15	30	M4	4	10
2057	20	15	M6	6	18
2027	20	20	M6	6	18
2001	20	25	M6	6	18
2060	20	30	M6	6	18
2002	25	15	M6	6	29
2064	25	17	M6	6	29
2003	25	20	M6	6	29
2058	25	25	M6	6	29
2028	25	30	M6	6	29
2005	30	20	M8	7	42
2006	30	25	M8	7	42
2007	30	30	M8	7	42
2063	30	40	M8	7	42
2056	40	20	M8	7	75
2008	40	30	M8	7	75
2030	40	35	M8	7	75
2031	40	40	M8	7	75
2032	40	45	M8	7	75
2065	40	50	M8	7	75
2034	50	20	M10	7	117
2035	50	25	M10	7	117
2010	50	30	M10	7	117
2064/B	50	35	M10	7	117
2036	50	40	M10	7	117

Code	Ø mm	H mm	G	Z mm	Max Load* (daN)
2011	50	45	M10	7	117
2037	50	50	M10	7	117
2038	60	20	M12	10	169
2012	60	30	M12	10	169
2039	60	40	M12	10	169
2013	60	50	M12	10	169
2040	60	60	M12	10	169
2041	65	50	M12	10	199
2042	70	40	M12	10	230
2043	70	45	M12	10	230
2044	70	50	M12	10	230
2045	75	25	M12	10	265
2046	75	30	M12	10	265
2014	75	40	M12	10	265
2047	75	45	M12	10	265
2015	75	50	M12	10	265
2016	75	55	M12	10	265
2048	75	60	M12	10	265
2017	100	40	M16	16	471
2018	100	50	M16	16	471
2049	100	55	M16	16	471
2050	100	60	M16	16	471
2019	100	80	M16	16	471
2051	100	100	M16	16	471
2021	125	50	M16	18	736
2052	125	60	M16	18	736
2053	125	70	M16	18	736
2022	125	80	M16	18	736
2054	150	75	M16	18	1060
2055	200	100	M20	21	1884

Standard hardness 55 shore  
On request 45/65 shore  
\* Under compression

## Cylindrical Antivibration Mountings

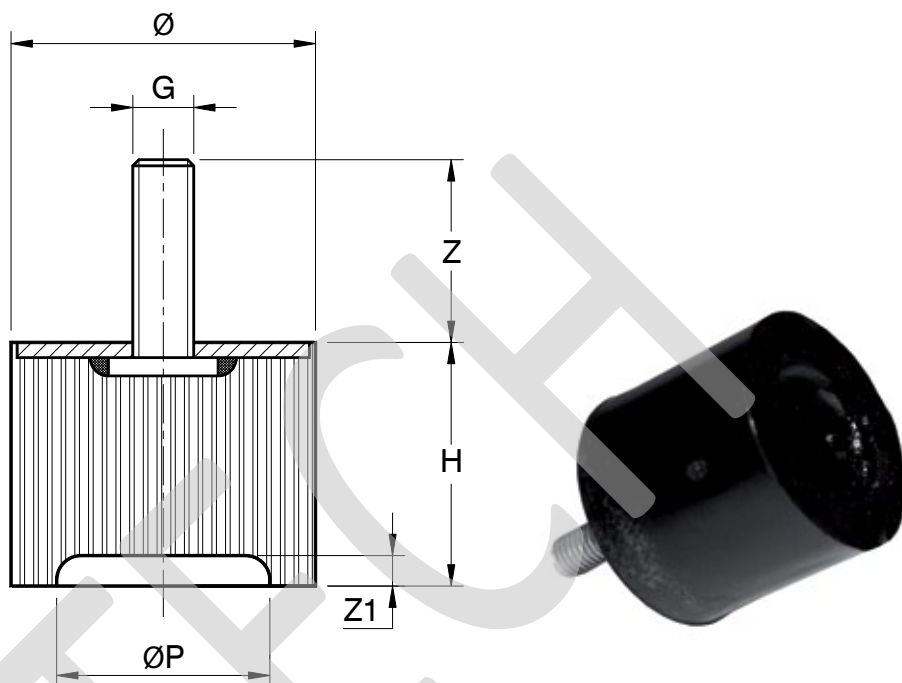
### Type PMV

Uses:

- Generators
- Electric Motors
- Instruments
- Agricultural Machineries



Antivibration feet with a "sucker" and white zinking.



Code	Ø mm	H mm	G	Z mm	Ø Pmm	Z1 mm
PMV6000	30	20	M8	25	16	4
PMV6001	30	30	M8	25	16	4
PMV6002	40	20	M8	25	24	4
PMV6003	40	30	M8	25	24	4
PMV6004	40	35	M8	25	24	4
PMV6005	50	20	M10	30	35	4
PMV6006	50	25	M10	30	35	4
PMV6007	50	30	M10	30	35	4
PMV6008	60	30	M12	40	45	4
PMV6009	60	40	M12	40	45	4
PMV6010	70	40	M12	40	45	4
PMV6011	75	25	M12	40	45	4
PMV6012	75	40	M12	40	45	4
PMV6013	100	40	M16	47	60	4
PMV6014	125	50	M16	45	90	4
PMV6015	150	75	M16	45	100	4
PMV6016	200	100	M20	45	120	4

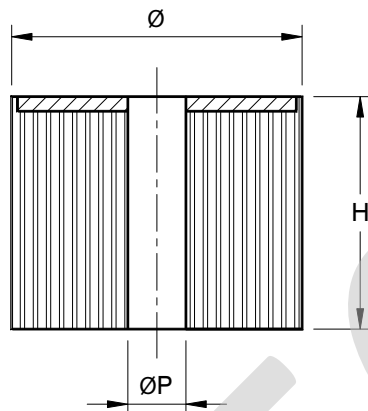
This article can be produced on request in 45-55-65 shore.

## Cylindrical Antivibration Mountings

### Type PFC

Uses:

- Generators
- Electric Motors
- Instruments
- Agricultural Machineries



Cylindrical antivibration mounting with a passer-by hole and a white zinked washer.

Code	Ø mm	H mm
6100	30	20
6101	30	30
6102	40	20
6103	40	30
6104	40	40
6105	50	20
6106	50	30
6107	50	40
6108	60	20
6109	60	30
6110	60	40
6111	70	40
6112	75	25
6113	75	30
6114	75	40
6115	100	40

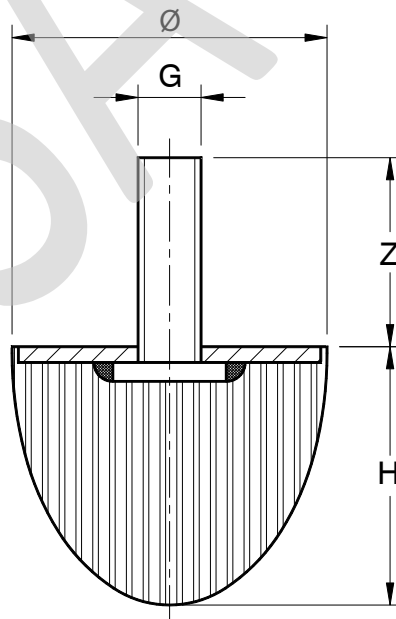
The size of the central hole can be designed and produced on customer's request (hole's diameter ØP).

## Conical Antivibration Mountings

### Type PC

Uses:

- Bump stop



Antivibration mountings with a fastening screw and white zinking.

Code	Ø mm	H mm	G	Z mm	Max Load* (daN)
300	20	25	M6	20	20
301	25	17	M6	20	20
302	25	19	M6	20	20
303	25	22	M6	20	20
335	25	25	M6	20	20
304	30	14	M8	25	34
305	30	30	M8	25	34
334	30	36	M8	25	34
327	40	30	M8	25	29
306	40	38	M8	25	39
307	40	60	M8	25	39
328	50	40	M10	30	57
308	50	50	M8	24	57
309	50	58	M8	24	57
310	50	61	M10	30	66
336	50	67	M8	24	66
329	60	50	M12	40	75
311	60	60	M12	40	75
312	70	46	M10	30	110
313	75	58	M12	40	110
322	76	76	M12	40	117
323**	100	80	M16	47	199
330	125	100	M16	45	340

Standard hardness 55 shore

On request 45/65 shore

\*Under compression

\*\* Ex conical antivibration mounting PC 96/96

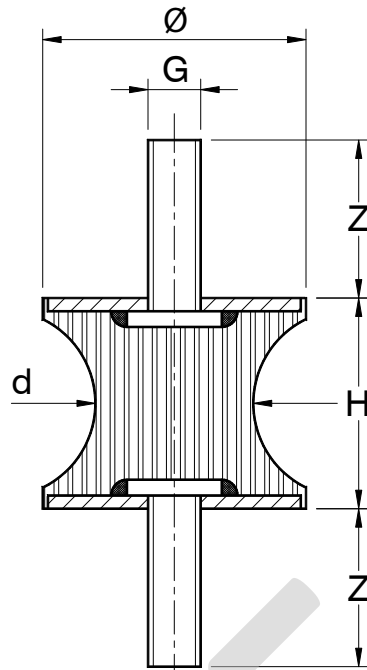


## "Sand-Glass" Antivibration Mountings

### Type CL

Uses:

- Generators
- Instruments
- Agricultural Machineries



Antivibration mountings with two fastening screws and white zinking.

Code	Ø mm	d mm	H mm	G	Z mm	Max Load* (daN)
224	20	10	15	M6	20	4
219	20	10	20	M6	20	4
225	25	10	20	M6	20	4
211	25	17	24	M6	20	13
212	30	15	20	M6	20	10
213	40	15	30	M8	25	10
214	40	20	30	M8	25	18
215	40	28	30	M8	25	37
216	50	30	30	M10	30	42
217	75	50	40	M12	40	117
218	80	70	70	M12	40	230

Standard hardness 55 shore

On request 45/65 shore

\* Under compression

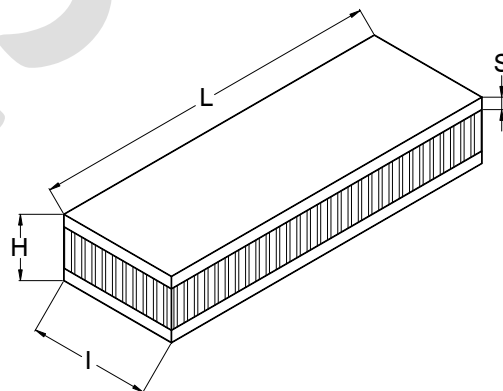
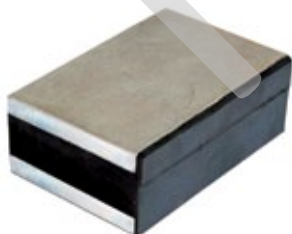
## Antivibration Bars

### Type BA

Antivibration bars

Uses:

- Generators
- Electric Motors
- Instruments
- Agricultural Machineries



Code	L mm	I mm	H mm	S mm	Max Load* (daN)
428	500	30	25	5	600
432	500	40	35	10	1200
433	500	40	40	10	1200
434	500	40	50	10	1500
435	500	50	40	10	1500
454	500	50	50	10	1500
436	500	60	60	10	1800
437	500	60	50	10	1800
438	500	60	40	10	1800
439	500	80	80	15	2400
440	500	80	60	15	2400
445	500	100	60	10	3000
446	500	100	60	15	3000
447	500	100	50	10	3000
448	500	100	50	15	3000
450	500	120	80	15	3600
451	500	120	60	15	3600
452	500	150	80	15	4500
453	500	150	60	15	4500

Standard hardness 55 shore

On request 45/65 shore

\* Under compression

On request: This item can be produced with a single plate.

## Technical Articles on Drawing

Thanks to forty-year experience in the field of antivibration mountings, manufactures industrial articles and metal/rubber items on drawing for several applications. Here below you can see some of them developed and produced during these years in order to fulfil our own customers' request. Our technical department, by the help of a powerful designing software, PRO-ENG, gives customers "key in hand" as to offer them solutions starting from the very first step of antivibration mountings project to reverse engineering.

### OUR MAIN APPLICATION FIELDS:

Spare parts for earthmoving machines  
"Special" items for hydraulic breakers  
Supports for waste collection machines  
Supports for bio-medical machines  
"Special" mounts by polyurethane



BUILDING



AGRICULTURE



NAVAL



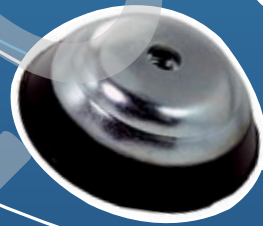
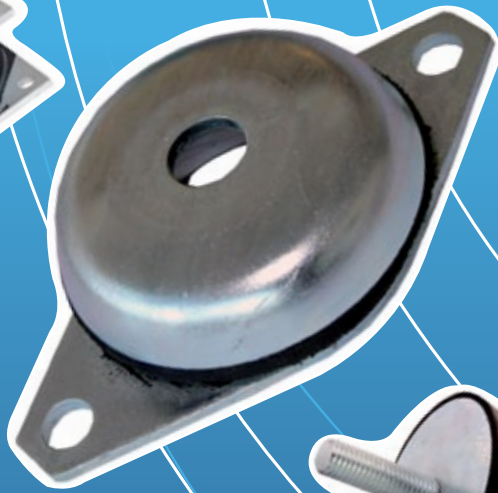
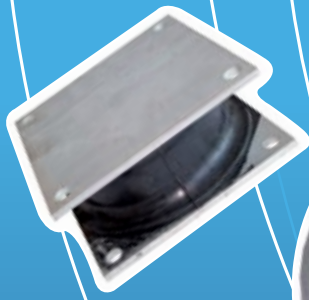
AUTOMOTIVE



INDUSTRY



**DO NOT HESITATE TO GET IN TOUCH  
WITH US FOR AN ENQUIRY!**



FISATECH