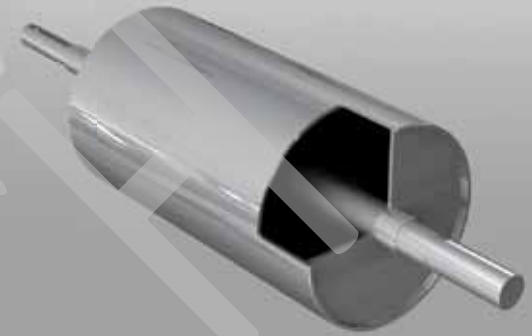


UNI 6607



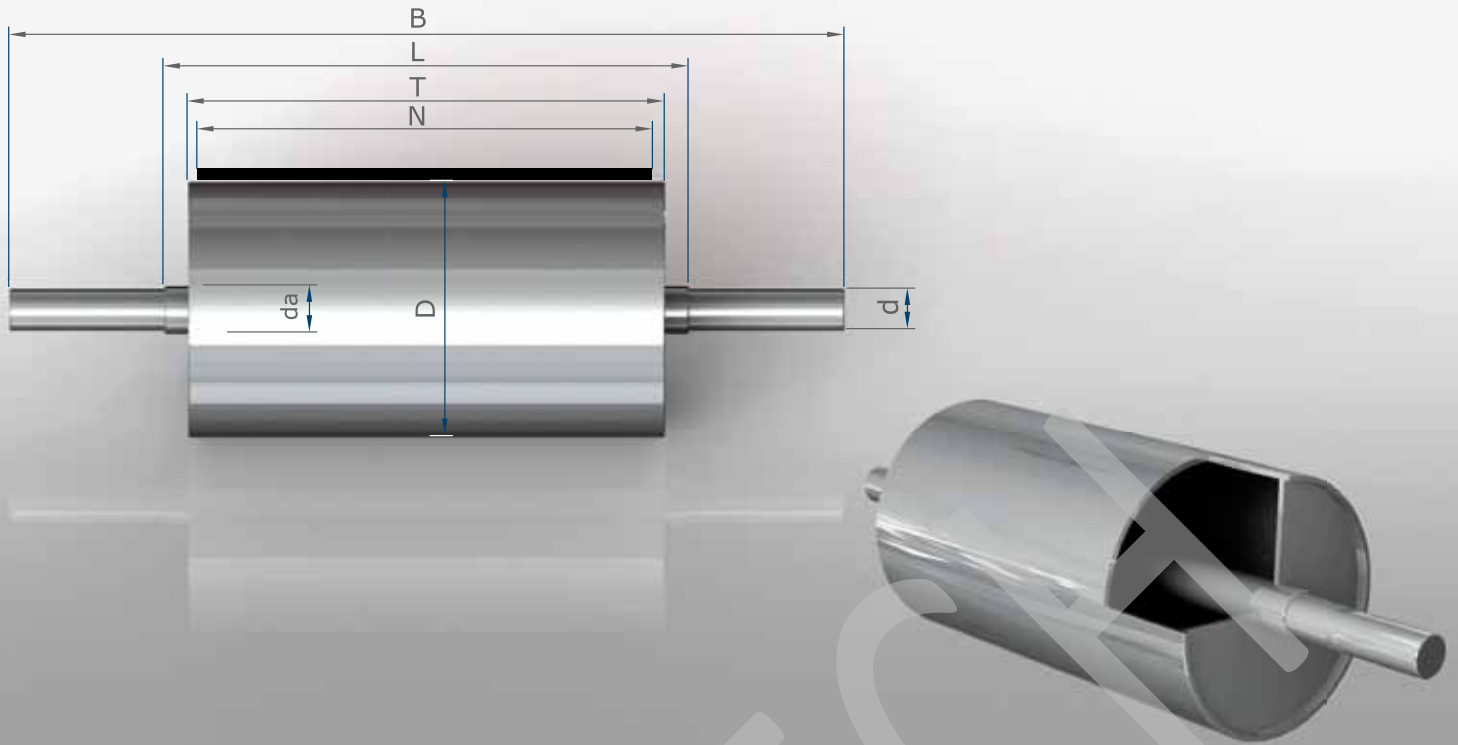
WELDED SHAFT DRIVE DRUMS

CODE	B	L	T	d	da	D	de	I	C	N
TC001	700	440	400	35	40	215	30	90	100	300
TC002	800	540	500	40	45	240	35	95	105	400
TC003						215				450
TC004	850	590	550	45	50	240	40	110	120	500
TC005						215				600
TC006	900	640	600	50	55	240	45	120	130	600
TC007						215				650
TC008	1000	740	700	60	65	320	55	140	150	700
TC009						240				750
TC010	1100	790	750	75	80	320	70	170	180	800
TC011						240				800
TC012	1200	890	850	85	90	320	80	200	210	900
TC013						400				900
TC014	1300	990	950	90	95	400	85	200	210	1000
TC015						320				1000
TC016	1450	1090	1050	100	105	400	90	200	210	1100
TC017						500				1100
TC018	1500	1190	1150	105	110	500	95	200	210	1200
TC019						400				1200
TC020	1750	1440	1400	110	115	500	100	200	210	1300
TC021						400				1300
TC022	1950	1640	1600	115	120	400	105	200	210	1400
TC023						500				1400

PRODUCT DESCRIPTION

These heavy-gauge drive drums are slightly convex to encourage centring of the belt.

In addition to the standard sizes indicated above, drums can be made to measure and with smooth or grooved rubber.



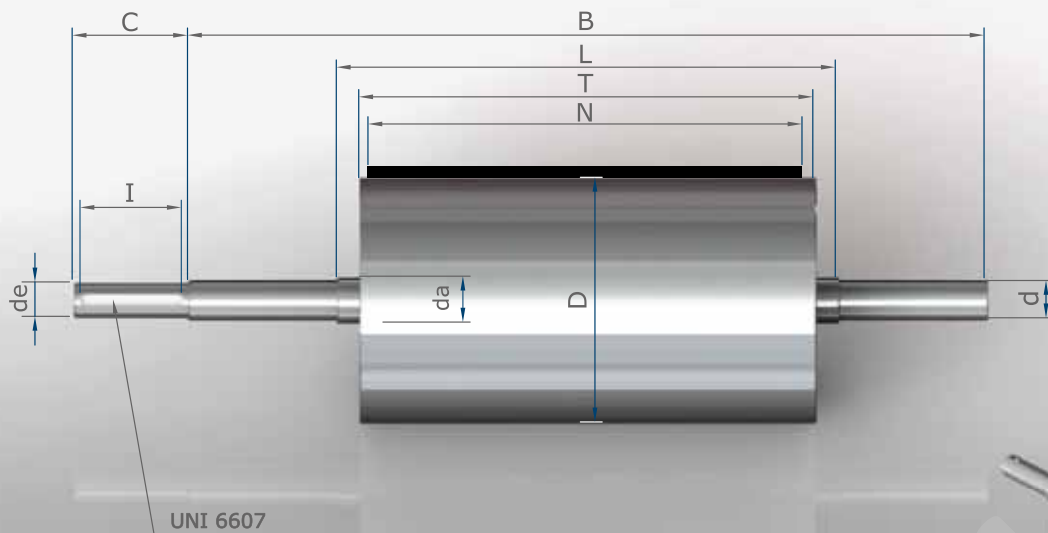
WELDED SHAFT TRANSMISSION DRUMS

CODE	B	L	T	d	da	D	N		
TR001	700	440	400	35	40	215	300		
TR002	800	540	500	40	45	215	400		
TR003						240			
TR004	850	590	550			215	450		
TR005						240			
TR006	900	640	600	45	50	215	500		
TR007						240			
TR008	1000	740	700			50	55	240	600
TR009								320	
TR010	1100	790	750	60	65			240	650
TR011								320	
TR012	1200	890	850			75	80	240	700
TR013								320	
TR014	1300	990	950	85	90			320	800
TR015								400	
TR016	1450	1090	1050			75	80	320	900
TR017								400	
TR018	1500	1190	1150	85	90			400	1000
TR019								500	
TR020	1750	1440	1400			85	90	400	1200
TR021								500	
TR022	1950	1640	1600	85	90			400	1400
TR023								500	

PRODUCT DESCRIPTION

These heavy-gauge transmission drums are slightly convex to encourage centring of the belt.

In addition to the standard sizes indicated above, drums are also made to measure.



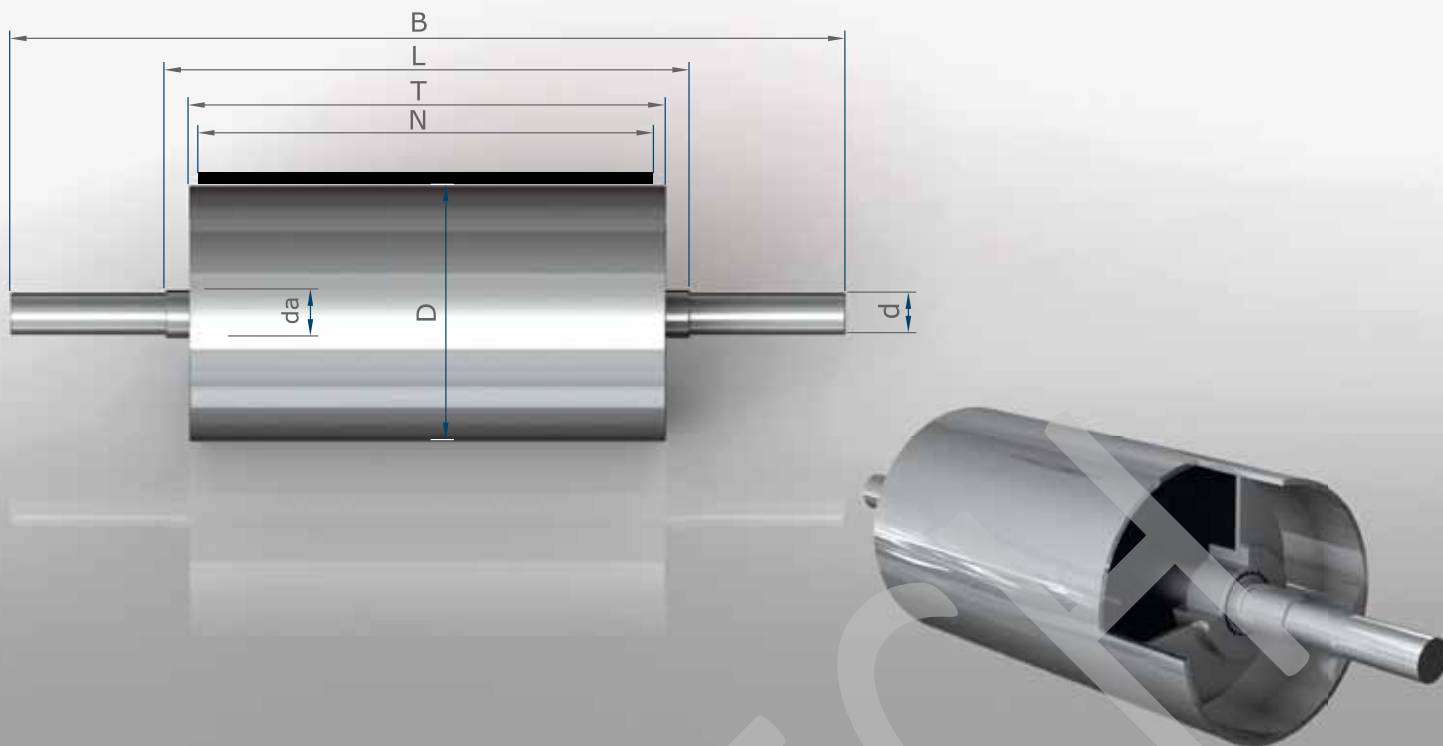
KEYED SHAFT DRIVE DRUMS

CODE	B	L	T	d	da	D	de	I	C	N
TCC001	700	440	400	35	40	215	30	90	100	300
TCC002	800	540	500	40	45	215				
TCC003						240	35	95	105	400
TCC004	850	590	550	45	50	215				
TCC005						240	40	110	120	500
TCC006	900	640	600	45	55	215				
TCC007						240	45	120	130	600
TCC008	1000	740	700	50	55	240				
TCC009						320	45	120	130	650
TCC010	1100	790	750	50	55	240				
TCC011						320	45	120	130	700
TCC012	1200	890	850	50	55	240				
TCC013						320	45	120	130	800
TCC014	1300	990	950	60	65	320				
TCC015						400	45	120	130	800
TCC016	1450	1090	1050	60	65	320				
TCC017						400	45	120	130	900
TCC018	1500	1190	1150	60	65	400				
TCC019						400	45	120	130	1000
TCC020	1750	1440	1400	75	80	500				
TCC021						400	45	120	130	1200
TCC022	1950	1640	1600	75	80	500				
TCC023						400	45	120	130	1400
						500				

PRODUCT DESCRIPTION

These heavy-gauge drive drums are slightly convex to encourage centring of the belt.

In addition to the standard sizes indicated above, drums can be made to measure and with smooth or grooved rubber.



KEYED SHAFT TRANSMISSION DRUMS

CODE	B	L	T	d	da	D	N
TRC001	700	440	400	35	40	215	300
TRC002	800	540	500	40	45	215	400
TRC003						240	
TRC004	850	590	550	45	50	215	450
TRC005						240	
TRC006	900	640	600	45	50	215	500
TRC007						240	
TRC008	1000	740	700	50	55	240	600
TRC009						320	
TRC010	1100	790	750	50	55	240	650
TRC011						320	
TRC012	1200	890	850	60	65	240	700
TRC013						320	
TRC014	1300	990	950	60	65	320	800
TRC015						400	
TRC016	1450	1090	1050	75	80	320	900
TRC017						400	
TRC018	1500	1190	1150	75	80	400	1000
TRC019						500	
TRC020	1750	1440	1400	85	90	400	1200
TRC021						500	
TRC022	1950	1640	1600	85	90	400	1400
TRC023						500	

PRODUCT DESCRIPTION

These heavy-gauge transmission drums are slightly convex to encourage centring of the belt.

In addition to the standard sizes indicated above, drums are also made to measure.