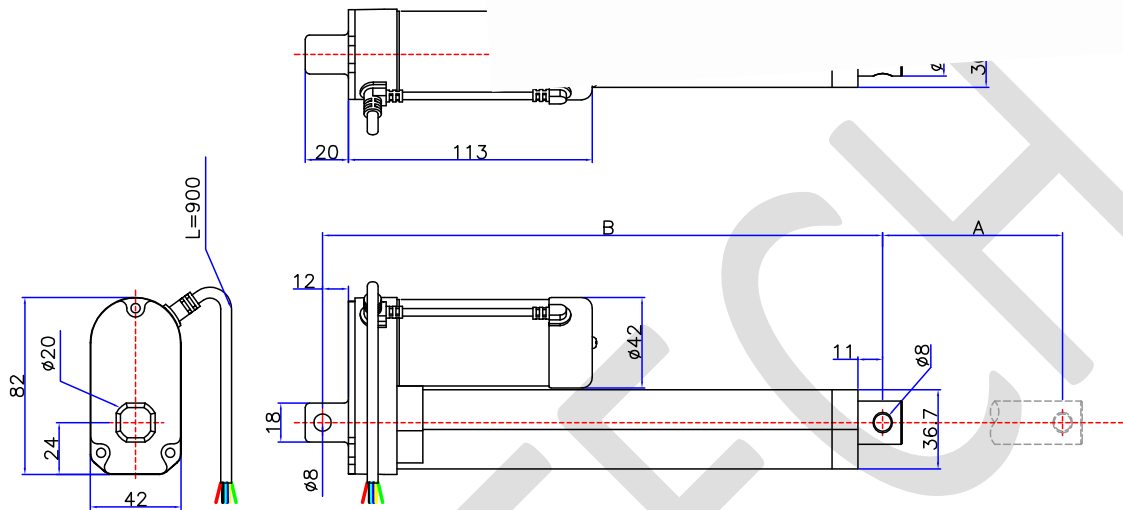


TELESCOPIC ACTUATOR CX.LD3



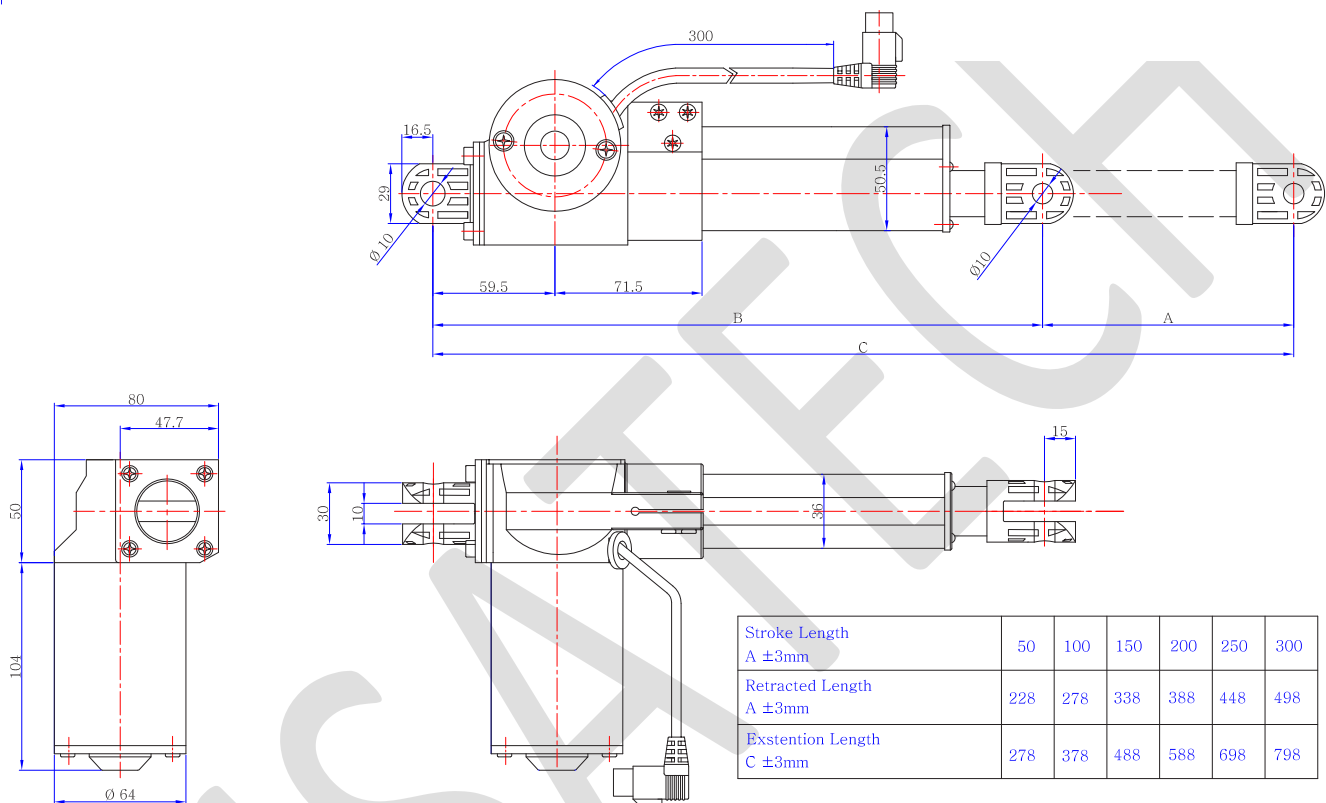
Stroke Length (A±3mm)	50mm	100mm	150mm	200mm	250mm	300mm
Minimum Retracted Length (B±3mm)	158mm	209mm	260mm	311mm	362mm	413mm

Electric performances

Article	Ratio	Nominal Voltage	No Load Speed mm/s	Nominal Load N	Nominal Current Amp.	Max. Load N
CX.LD3.5	1:5	12,0	50.0	80	≥ 0.80	200
		24,0			≥ 0.50	
CX.LD3.10	1:10	12,0	25.0	180	≥ 0.80	350
		24,0			≥ 0.50	
CX.LD3.20	1:20	12,0	15.0	350	≥ 0.80	600
		24,0			≥ 0.50	
CX.LD3.30	1:30	12,0	10.0	550	≥ 0.80	800
		24,0			≥ 0.50	
CX.LD3.40	1:40	12,0	7.0	650	≥ 0.80	1200
		24,0			≥ 0.50	

- Working temperature: -5°C ~ +60°C
- Powder Coated Aluminium Alloy Housing
- Preset Limit Switches included
- IP protection: IP54; on request IP65
- Possibility to deliver the linear actuator with hall sensor magnetic encoder
- Possibility to deliver the linear actuator with Potenziometer
- Possibility to deliver the remote controller box
- Possibility to supply with stepping motor. On request.

TELESCOPIC LINEAR ACTUATOR CX.FD



Electric performances

Article	Nominal Voltage	No Load Speed mm/s	Push MAX N	Pull MAX N
CX.FD-A4	12.0	4.2	6.000	4.000
	24.0			
CX.FD-A6	12.0	6.2	3.000	2.000
	24.0			
CX.FD-A8	12.0	8.2	2.500	1.500
	24.0			

-Working temperature: -10°C ~ +60°C

-High Strength Plastic Gears

-IP Protection: IP54

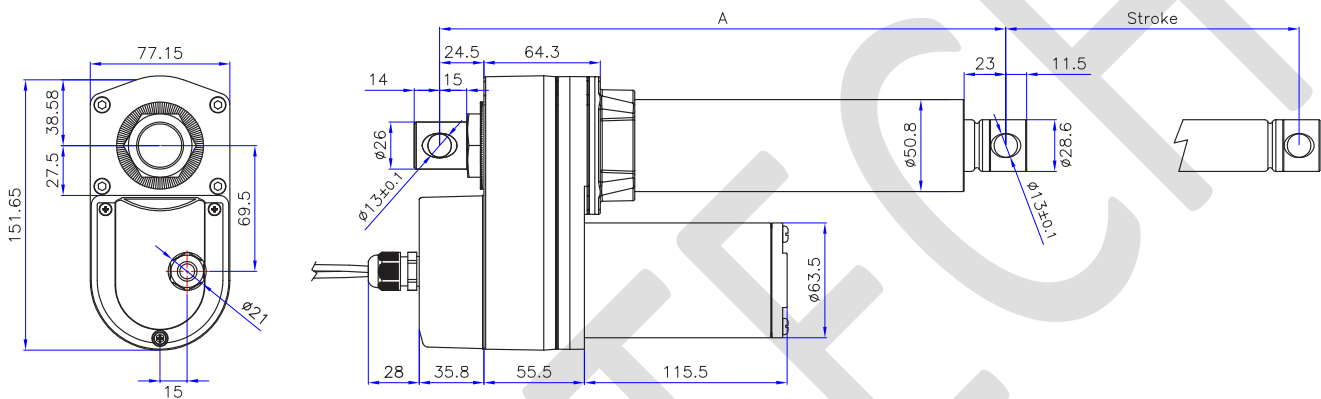
-Aluminium Tubes

-Limit Switches built-in (preset in factory)

-Possibility to deliver the linear actuator with hall sensor magnetic encoder

-Possibility to deliver the remote controller box

TELESCOPIC ACTUATOR CX.ID11



Stroke(±5mm)	102	153	203	305	457	610
A Retracted Length (A± 5mm)	359	410	461	640	792	945

Electric performances

Article	Nominal Voltage	No Load Speed	Push MAX	Pull MAX
		mm/s	N	N
CX.ID11.10	12.0	33,5	3.500	3.500
	24.0			
CX.ID11.20	12.0	16,8	4.500	4.500
	24.0			
CX.ID11.30	12.0	11,2	6.000	6.000
	24.0			
CX.ID11.40	12.0	8,4	7.000	7.000
	24.0			

- Stainless Steel Extension Tube
- Working temperature: -25°C ~ +65°C
- Load holding brake standard
- Powder Metallurgy Gears
- Protection: IP65

- High Efficiency Ball Screw
- Static Load Capacity: 13600N
- Overload Protection by Clutch
- Stroke Length: 102~610 mm
- Adjustable Limit Switches