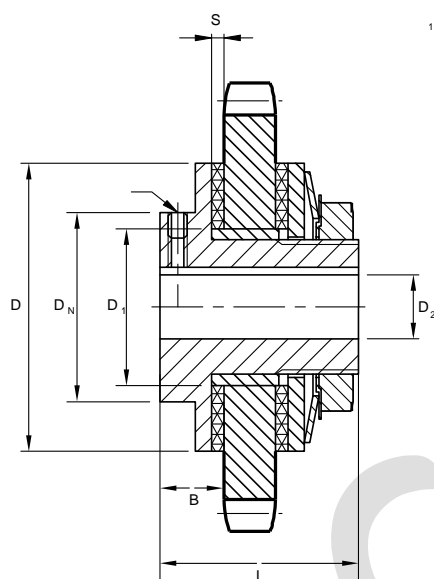


## DB obmedzovač krútiaceho momentu s reťazovým diskom



| Typ      | Prenášaný moment |           | Vŕtanie $d_2$ |      | Rozmery [mm] |       |        |     |       |          |      |  |
|----------|------------------|-----------|---------------|------|--------------|-------|--------|-----|-------|----------|------|--|
|          |                  |           |               |      | D            | $D_N$ | $D_1$  | B   | $s_1$ | $L_{RN}$ | M    |  |
|          | min. [Nm]        | max. [Nm] | min.          | max. |              |       |        |     |       |          |      |  |
| DB 120-1 | 0,5              | 5         |               |      |              |       |        |     |       |          |      |  |
| DB 120-2 | 1                | 10        | 3,7           | 10   | 30           | –     | 21,05  | 8,5 | 2,5   | 31       | M 4  |  |
| DB 180-1 | 2                | 10        |               |      |              |       |        |     |       |          |      |  |
| DB 180-2 | 4                | 20        | 5,7           | 20   | 45           | –     | 34,05  | 8,5 | 2,5   | 33       | M 4  |  |
| DB 250-1 | 7                | 34        |               |      |              |       |        |     |       |          |      |  |
| DB 250-2 | 14               | 68        | 9,5           | 22   | 64           | 45    | 41,33  | 16  | 4     | 48       | M 5  |  |
| DB 350-1 | 20               | 90        |               |      |              |       |        |     |       |          |      |  |
| DB 350-2 | 40               | 180       | 13            | 25   | 90           | 59    | 49,28  | 19  | 4     | 62       | M 6  |  |
| DB 500-1 | 50               | 300       |               |      |              |       |        |     |       |          |      |  |
| DB 500-2 | 100              | 600       | 19            | 40   | 127          | 75    | 73,10  | 21  | 4     | 76       | M 8  |  |
| DB 700-1 | 115              | 690       |               |      |              |       |        |     |       |          |      |  |
| DB 700-2 | 230              | 1360      | 24            | 60   | 178          | 120   | 104,88 | 25  | 5     | 98       | M 10 |  |

### Príklad objednávky:

|                 |         |                   |               |         |            |
|-----------------|---------|-------------------|---------------|---------|------------|
| DB              | 250     | 2 TF              | 08 B1, z = 20 | Ø 20 H7 | 6 P9       |
| Typ obmedzovača | Veľkosť | Označenie pružiny | Reť. koleso   | Vŕtanie | Perodrážka |