

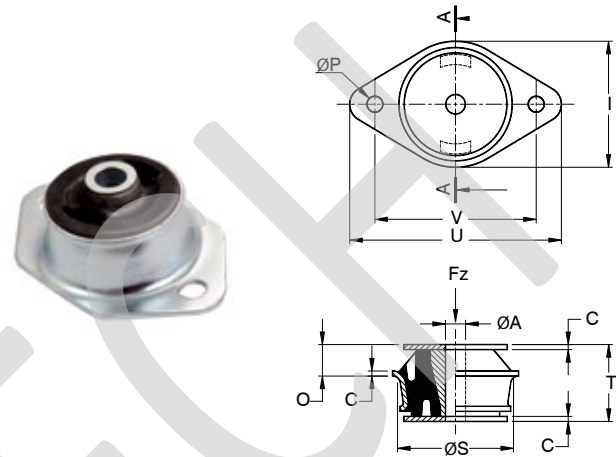
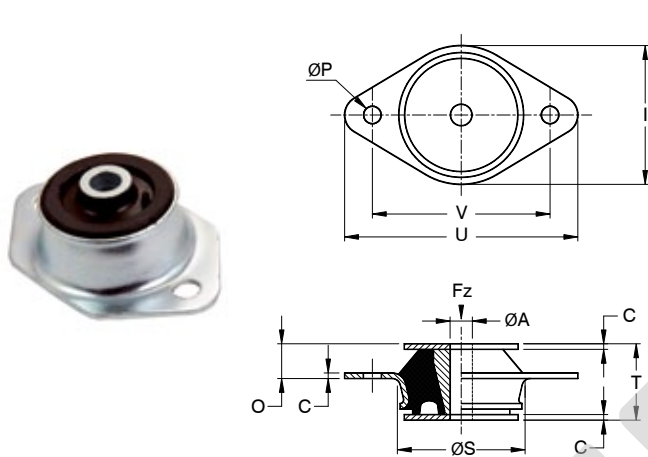
"Cone" Antivibration Mountings with an Oval Base

Uses:

- Generators
- Electric Motors
- Air-compressors
- Air-conditioning plants



"Cone" antivibration mountings with an oval base and white zinking.

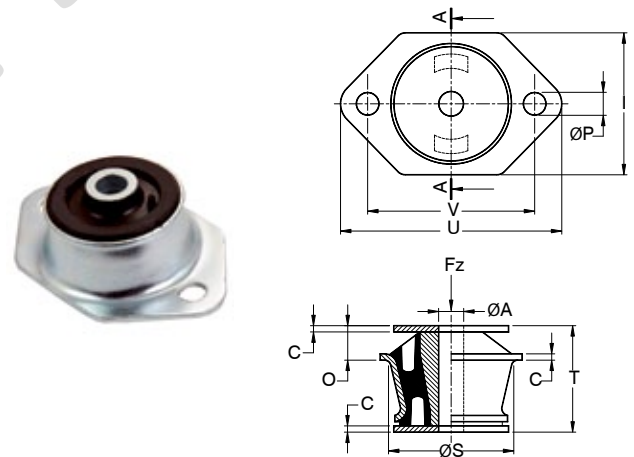
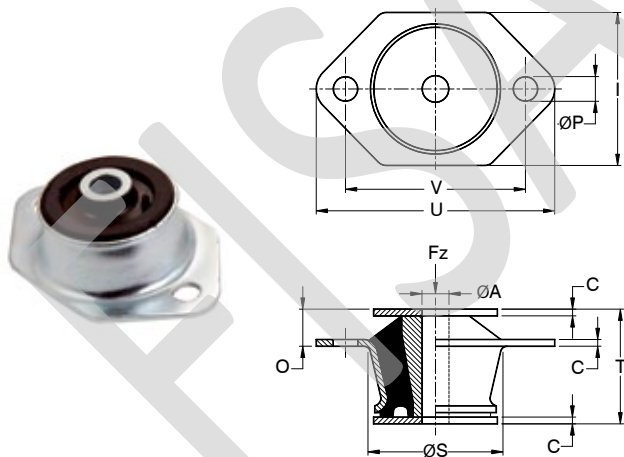


Code	Hardness	ØS	T	O	C	ØA	ØP	U	V	I	Load*
	Shore										
3500/45	45	46	27,5	12,5	2	8	6,5	84	64	50	40
3500/55	55	46	27,5	12,5	2	8	6,5	84	64	50	60
3500/65	65	46	27,5	12,5	2	8	6,5	84	64	50	100

Antivibration mounting supplied with two white zinked washers.

Code	Hardness	ØS	T	O	C	ØA	ØP	U	V	I	Load*
	Shore										
3502/45	45	46	30,5	12,5	2	8	6,5	84	64	50	30
3502/55	55	46	30,5	12,5	2	8	6,5	84	64	50	50
3502/65	65	46	30,5	12,5	2	8	6,5	84	64	50	70

Antivibration mounting supplied with two white zinked washers.



Code	Hardness	ØS	T	O	C	ØA	ØP	U	V	I	Load*
	Shore										
3504/45	45	60	51	16,5	2,5	12	11	106	80	68	100
3504/55	55	60	51	16,5	2,5	12	11	106	80	68	180
3504/65	65	60	51	16,5	2,5	12	11	106	80	68	280

Antivibration mounting supplied with two white zinked washers.

Code	Hardness	ØS	T	O	C	ØA	ØP	U	V	I	Load*
	Shore										
3506/45	45	60	51	16,5	2,5	12	11	106	80	68	80
3506/55	55	60	51	16,5	2,5	12	11	106	80	68	140
3506/65	65	60	51	16,5	2,5	12	11	106	80	68	215

Antivibration mounting supplied with two white zinked washers.

* Under compression

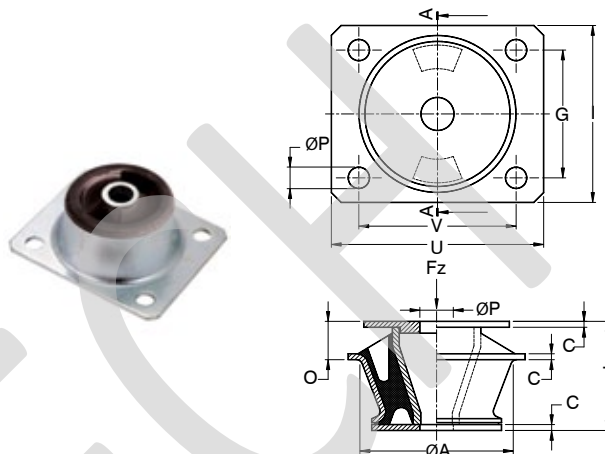
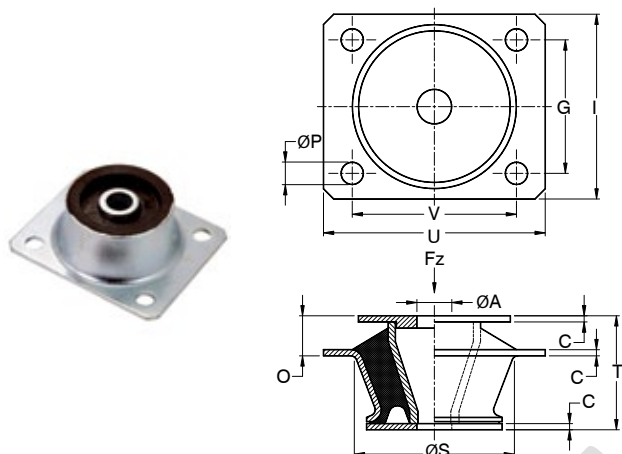
"Cone" Antivibration Mountings with a Rectangular Base

Uses:

- Generators
- Electric Motors
- Air-compressors
- Air-conditioning plants



"Cone" antivibration mountings with a rectangular base and white zinking.

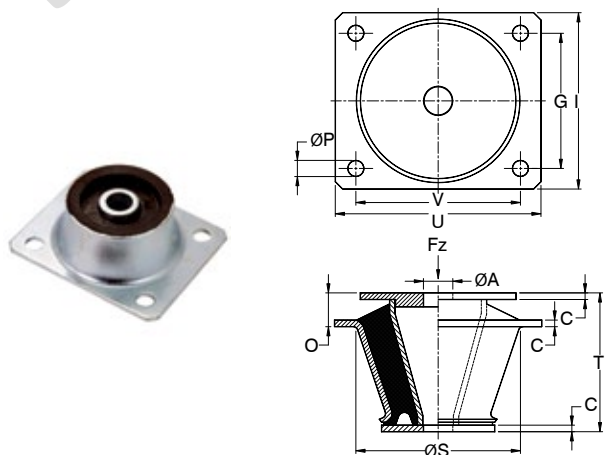
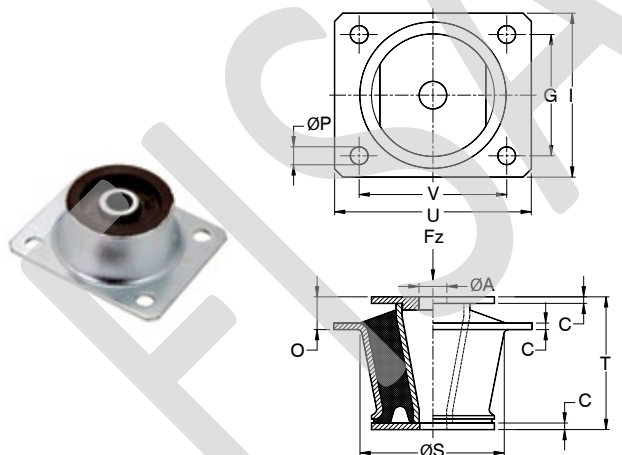


Code	Hardness	ØS	T	O	C	ØA	ØP	U	V	I	G	Load*
	Shore	mm	mm	mm	mm	mm	mm	mm	mm	mm	mm	
3600/45	45	78	56	19,5	3,5	16	11	107	80	90	65	180
3600/55	55	78	56	19,5	3,5	16	11	107	80	90	65	300
3600/65	65	78	56	19,5	3,5	16	11	107	80	90	65	440

Antivibration mounting supplied with two white zinked washers.

Code	Hardness	ØS	T	O	C	ØA	ØP	U	V	I	G	Load*
	Shore	mm	mm	mm	mm	mm	mm	mm	mm	mm	mm	
3602/45	45	78	56	19,5	3,5	16	11	107	80	90	65	25
3602/55	55	78	56	19,5	3,5	16	11	107	80	90	65	50
3602/65	65	78	56	19,5	3,5	16	11	107	80	90	65	70

Antivibration mounting supplied with two white zinked washers.



Code	Hardness	ØS	T	O	C	ØA	ØP	U	V	I	G	Load*
	Shore	mm	mm	mm	mm	mm	mm	mm	mm	mm	mm	
3604/45	45	87	81	20	4	16	11	120	90	100	74	400
3604/55	55	87	81	20	4	16	11	120	90	100	74	750
3604/65	65	87	81	20	4	16	11	120	90	100	74	1100

Antivibration mounting supplied with two white zinked washers.

Code	Hardness	ØS	T	O	C	ØA	ØP	U	V	I	G	Load*
	Shore	mm	mm	mm	mm	mm	mm	mm	mm	mm	mm	
3606/45	45	109	95	23	4,5	20	11	140	112	120	92	500
3606/55	55	109	95	23	4,5	20	11	140	112	120	92	1100
3606/65	65	109	95	23	4,5	20	11	140	112	120	92	1600

Antivibration mounting supplied with two white zinked washers.

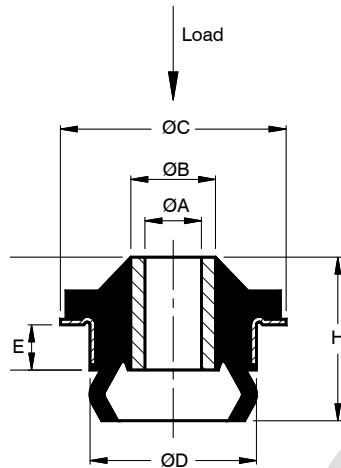
* Under compression

Rubber Safeted Mount

Type CLC

Uses:

- Engines
- Agricultural machineries' cabs



Antivibration mount ideal for supporting both compressive and tensile stress. Normally used in agricultural machineries' cabs and engines.

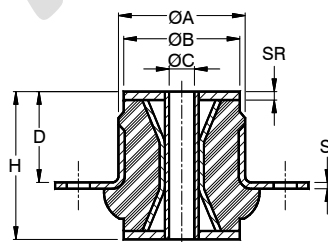
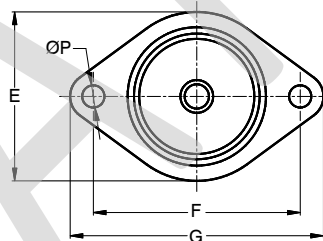
Code	Sizes							Max load (daN)	Max Deformation (mm)
	ØA mm	ØB mm	ØC mm	ØD mm	E mm	F mm	H mm		
4500	16,2	25	80	59	16	40	58	1200	2,7
4501	20	30	80	59	16	40	58	1250	2,5

"Cone" Antivibration Mounting with a Cylindrical Base

Type PASCON

Uses:

- Engines
- Agricultural machineries' cabs



Carico Load

"Cone" antivibration mountings with a cylindrical base and white zinking.

Code	Sizes											Average Stiffness (daN/mm)	Max load (daN)	Max Deformation (mm)
	ØA mm	ØB mm	ØC mm	D mm	E mm	F mm	G mm	H mm	S mm	SR mm	ØP mm			
4300	60	55	12	43	80	98	120	70	3	4	11	65	455	7
4301	72	65	16	53	95	106	130	80	4	4	11	95	570	6

Standard hardness 55 shore
On request 45/65 shore

Technical Articles on Drawing

Thanks to forty-year experience in the field of antivibration mountings, manufactures industrial articles and metal/rubber items on drawing for several applications. Here below you can see some of them developed and produced during these years in order to fulfil our own customers' request. Our technical department, by the help of a powerful designing software, PRO-ENG, gives customers "key in hand" as to offer them solutions starting from the very first step of antivibration mountings project to reverse engineering.

OUR MAIN APPLICATION FIELDS:

Spare parts for earthmoving machines
"Special" items for hydraulic breakers
Supports for waste collection machines
Supports for bio-medical machines
"Special" mounts by polyurethane



BUILDING



AGRICULTURE



NAVAL



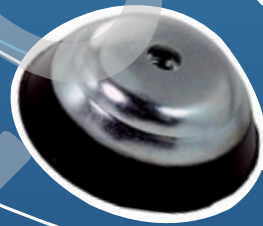
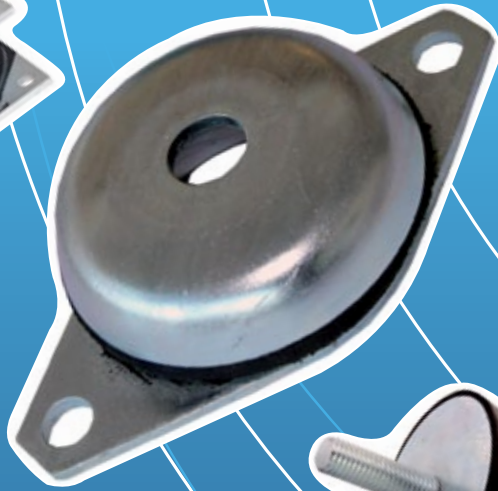
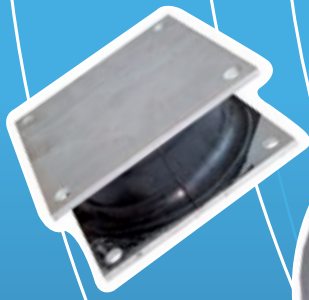
AUTOMOTIVE



INDUSTRY



**DO NOT HESITATE TO GET IN TOUCH
WITH US FOR AN ENQUIRY!**



FISATECH