

Type-HS Antivibration Mounting

Type HS

Uses:

- Generators
- Electric Motors
- Instruments
- Agricultural Machineries

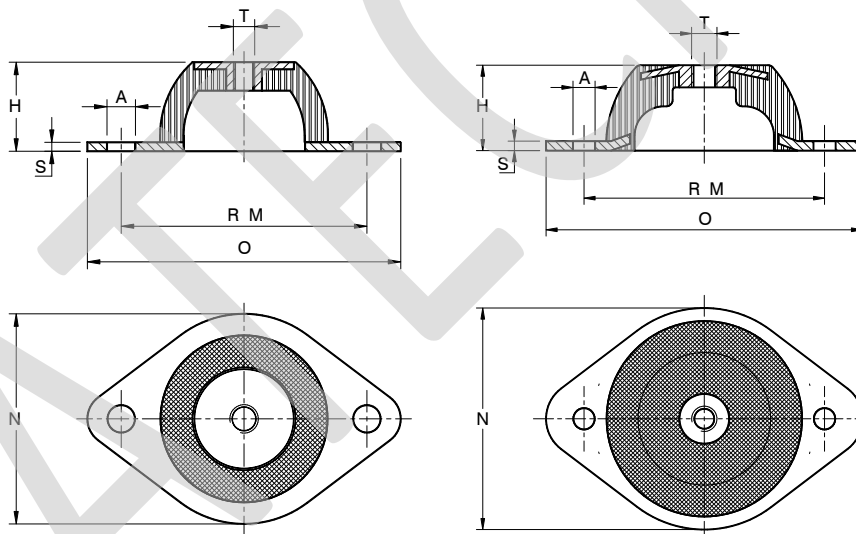


Dome-shaped antivibration mounting with a threaded hole and a white zinked plate suitable for application on the floor.



Type A

Type B



Code	Hardness Shore	O mm	RM mm	A mm	N mm	T mm	H mm	S mm	Max Load* (daN)	Type
4000/45	45	64	50	7	43	M6	20	2	5	A
4000/55	55	64	50	7	43	M6	20	2	9	A
4000/65	65	64	50	7	43	M6	20	2	17	A
4001/45	45	88	73-65	8x12	59	M8	25	2,5	27	A
4001/55	55	88	73-65	8x12	59	M8	25	2,5	44	A
4001/65	65	88	73-65	8x12	59	M8	25	2,5	75	A
4002/45	45	88	73-65	8x12	59	M10	25	2,5	27	A
4002/55	55	88	73-65	8x12	59	M10	25	2,5	44	A
4002/65	65	88	73-65	8x12	59	M10	25	2,5	75	A
4003/45	45	100	76	7	70	M8	27	3	75	B
4003/55	55	100	76	7	70	M8	27	3	120	B
4003/65	65	100	76	7	70	M8	27	3	165	B
4004/45	45	100	76	10	70	M8	27	3	75	B
4004/55	55	100	76	10	70	M8	27	3	120	B
4004/65	65	100	76	10	70	M8	27	3	165	B
4005/45	45	115	92	10	76	M10	35	2	40	B
4005/55	55	115	92	10	76	M10	35	2	75	B
4005/65	65	115	92	10	76	M10	35	2	135	B

* Under compression

Technical Articles on Drawing

Thanks to forty-year experience in the field of antivibration mountings, manufactures industrial articles and metal/rubber items on drawing for several applications. Here below you can see some of them developed and produced during these years in order to fulfil our own customers' request. Our technical department, by the help of a powerful designing software, PRO-ENG, gives customers "key in hand" as to offer them solutions starting from the very first step of antivibration mountings project to reverse engineering.

OUR MAIN APPLICATION FIELDS:

Spare parts for earthmoving machines
"Special" items for hydraulic breakers
Supports for waste collection machines
Supports for bio-medical machines
"Special" mounts by polyurethane



BUILDING



AGRICULTURE



NAVAL



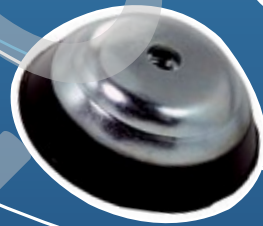
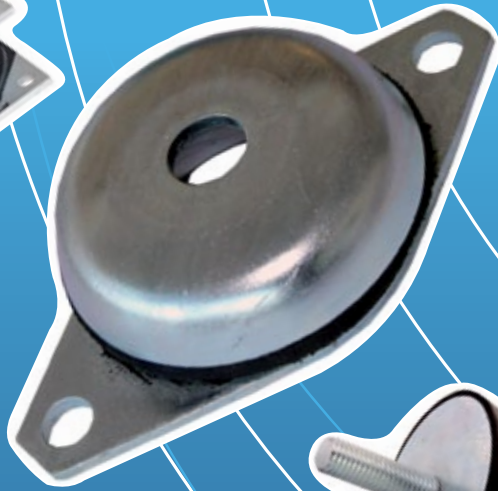
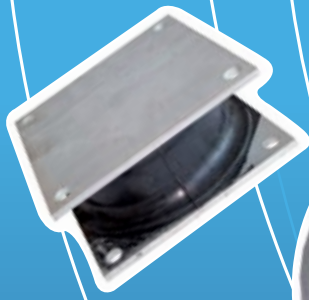
AUTOMOTIVE



INDUSTRY



**DO NOT HESITATE TO GET IN TOUCH
WITH US FOR AN ENQUIRY!**



FISATECH