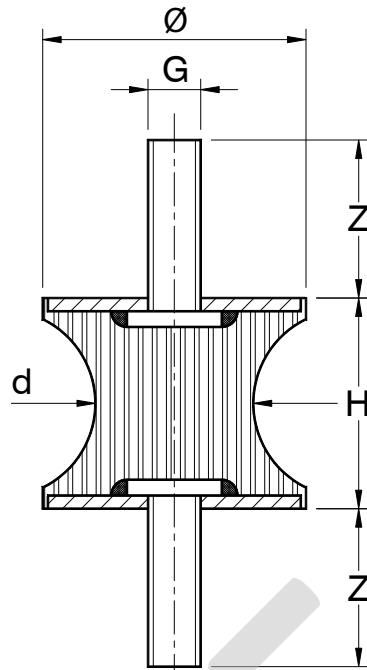


## "Sand-Glass" Antivibration Mountings

### Type CL

Uses:

- Generators
- Instruments
- Agricultural Machineries



Antivibration mountings with two fastening screws and white zinking.

Code	Ø mm	d mm	H mm	G	Z mm	Max Load* (daN)
224	20	10	15	M6	20	4
219	20	10	20	M6	20	4
225	25	10	20	M6	20	4
211	25	17	24	M6	20	13
212	30	15	20	M6	20	10
213	40	15	30	M8	25	10
214	40	20	30	M8	25	18
215	40	28	30	M8	25	37
216	50	30	30	M10	30	42
217	75	50	40	M12	40	117
218	80	70	70	M12	40	230

Standard hardness 55 shore

On request 45/65 shore

\* Under compression

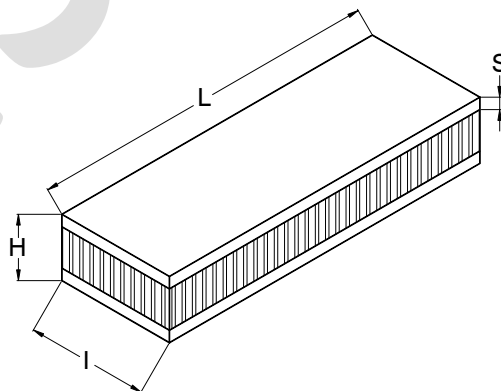
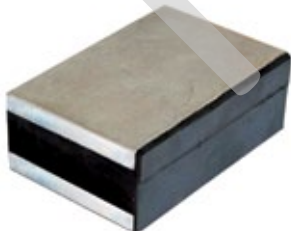
## Antivibration Bars

### Type BA

Antivibration bars

Uses:

- Generators
- Electric Motors
- Instruments
- Agricultural Machineries



Code	L mm	I mm	H mm	S mm	Max Load* (daN)
428	500	30	25	5	600
432	500	40	35	10	1200
433	500	40	40	10	1200
434	500	40	50	10	1500
435	500	50	40	10	1500
454	500	50	50	10	1500
436	500	60	60	10	1800
437	500	60	50	10	1800
438	500	60	40	10	1800
439	500	80	80	15	2400
440	500	80	60	15	2400
445	500	100	60	10	3000
446	500	100	60	15	3000
447	500	100	50	10	3000
448	500	100	50	15	3000
450	500	120	80	15	3600
451	500	120	60	15	3600
452	500	150	80	15	4500
453	500	150	60	15	4500

Standard hardness 55 shore

On request 45/65 shore

\* Under compression

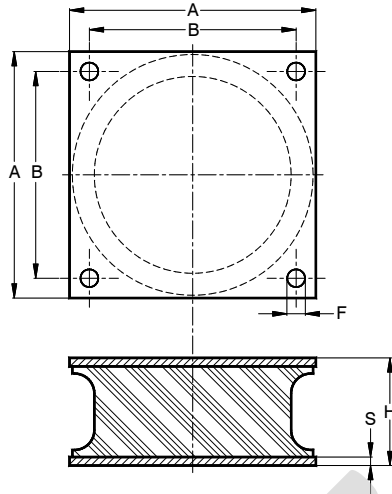
On request: This item can be produced with a single plate.

## Antivibration Mounting with a Square Base

### Type RUCOM

Uses:

- Engines
- Earthmoving machines



Vulcanized plates for road rollers, compactors, presses and heavy duty machines.

Code	Sizes				
	A mm	B mm	F mm	H mm	S mm
4100	150	126	11	65	8
4101	174	146	13	75	5
4102	180	145	13,5	85	6
4103	180	145	13,5	90	8

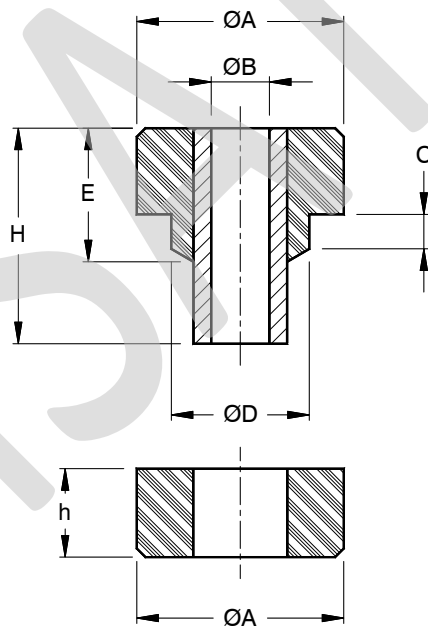
Standard hardness 55 shore  
On request 45/65 shore

## Safeted Mount with a Passer-by Hole

### Type COPAS

Uses:

- Engines
- Radiators
- Cabs



This antivibration mounting is ideal for supporting compressive and tensile stress. Normally used in agricultural machineries' cabs and engines.

Code	Sizes							Average Stiffness (daN/mm)	Max load (daN)	Max Deformation (mm)
	ØA mm	ØB mm	C mm	ØD mm	E mm	H mm	h mm			
4200	50	13	10	30	32	50	20	86	130	1,5
4201	65	16,5	16	42	42	61,7	23	140	260	1,9
4202	89	24	19	57	50,5	73	25	240	450	1,9

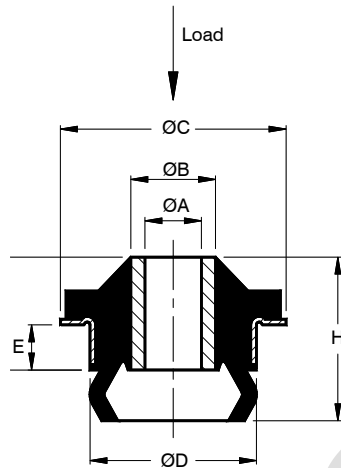
Standard hardness 55 shore  
On request 45 shore

## Rubber Safeted Mount

### Type CLC

Uses:

- Engines
- Agricultural machineries' cabs



Antivibration mount ideal for supporting both compressive and tensile stress. Normally used in agricultural machineries' cabs and engines.

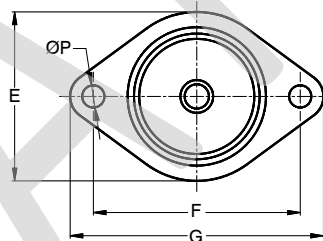
Code	Sizes							Max load (daN)	Max Deformation (mm)
	ØA mm	ØB mm	ØC mm	ØD mm	E mm	F mm	H mm		
4500	16,2	25	80	59	16	40	58	1200	2,7
4501	20	30	80	59	16	40	58	1250	2,5

## "Cone" Antivibration Mounting with a Cylindrical Base

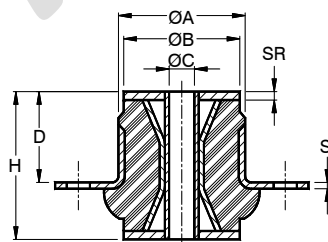
### Type PASCON

Uses:

- Engines
- Agricultural machineries' cabs



"Cone" antivibration mountings with a cylindrical base and white zinking.



Code	Sizes											Average Stiffness (daN/mm)	Max load (daN)	Max Deformation (mm)
	ØA mm	ØB mm	ØC mm	D mm	E mm	F mm	G mm	H mm	S mm	SR mm	ØP mm			
4300	60	55	12	43	80	98	120	70	3	4	11	65	455	7
4301	72	65	16	53	95	106	130	80	4	4	11	95	570	6

Standard hardness 55 shore  
On request 45/65 shore

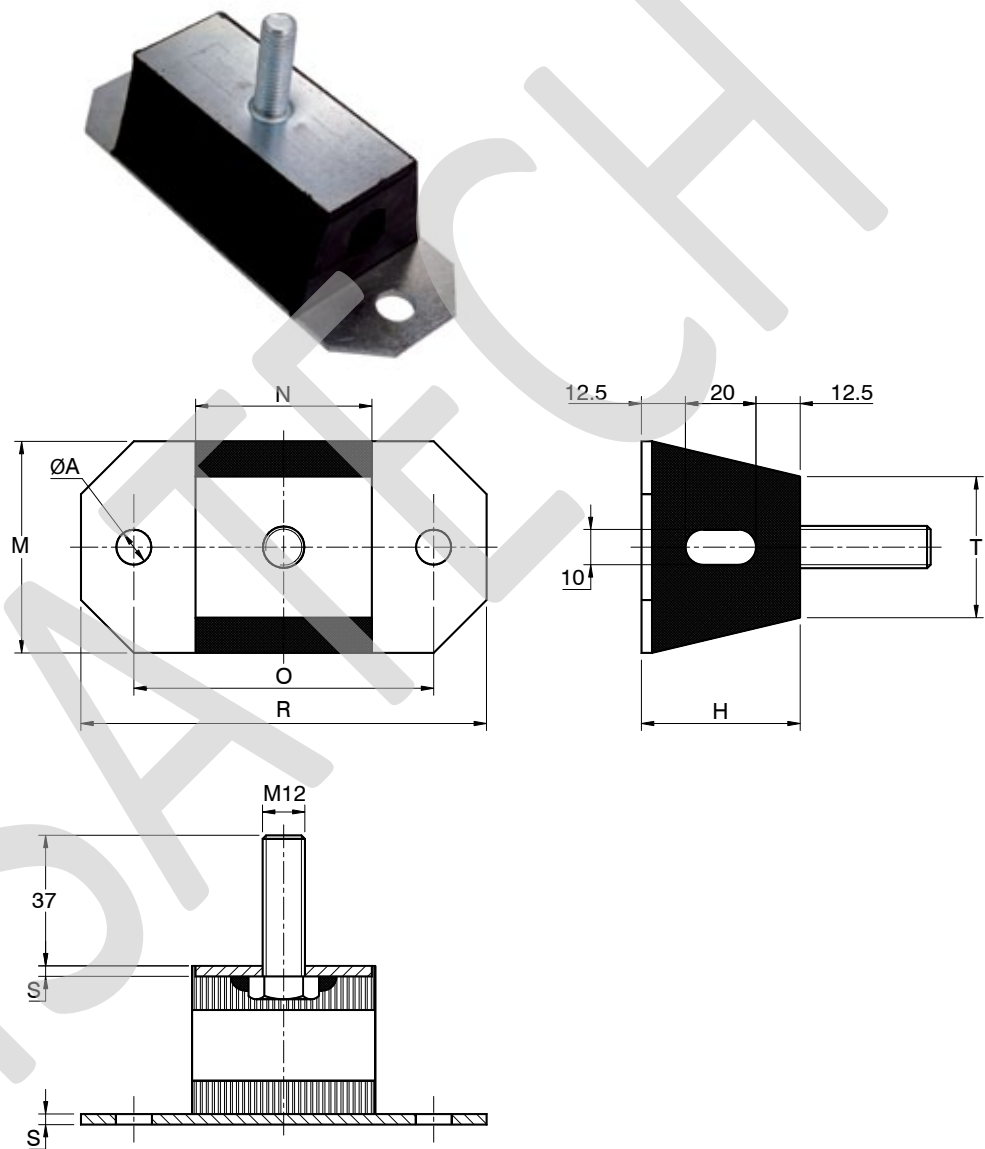
## Trapezoidal Antivibration Mounting

Uses:

- Generators
- Electric Motors
- Instruments
- Agricultural Machineries



This antivibration mounting is ideal for supporting longitudinal and vertical loads. It is made of two metal plates with white zinking, divided by a trapezoidal rubber section with a central hole.



Code	Hardness Shore A	O mm	R mm	M mm	ØA mm	N mm	T mm	H mm	S mm	Max Load* daN
7400	55	85	115	60	13,2	50	40	45	3	150
7401	55	135	165	60	13,2	100	40	45	3	320
7402	55	185	215	60	13,2	150	40	45	3	460

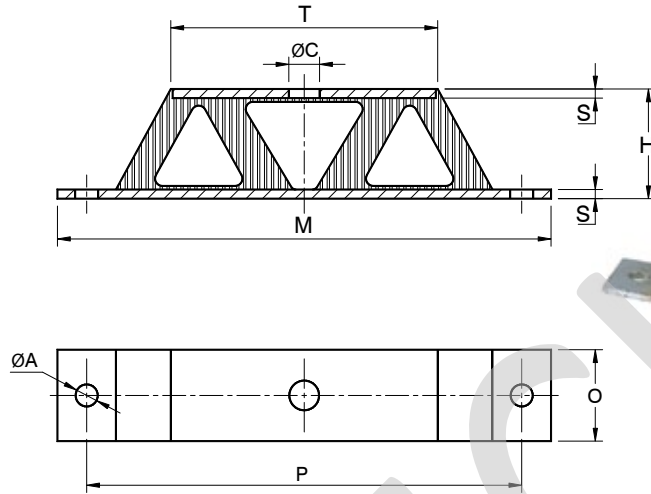
Standard hardness 55 shore  
\* Under compression

## Type W-Y Antivibration Mountings

Type W antivibration mounting with two white zinked plates.

Uses:

- Generators
- Electric Motors
- Instruments
- Agricultural Machineries

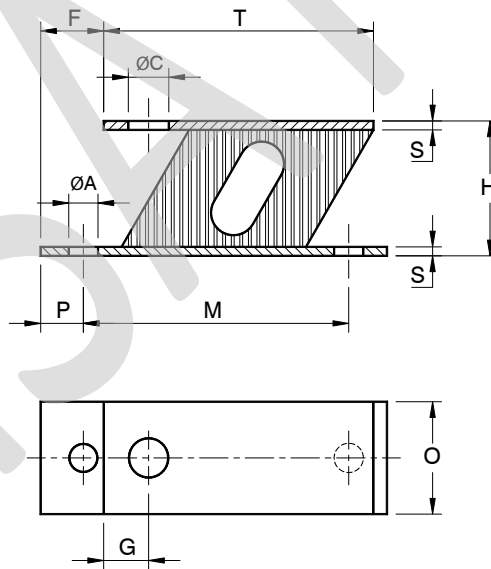


Code	Hardness Shore	M mm	T mm	O mm	ØC mm	ØA mm	P mm	H mm	S mm	Load* (daN)
5500/45	45	135	72	25	8,4	6,3	119	30	2,5	20
5500/55	55	135	72	25	8,4	6,3	119	30	2,5	40
5500/65	65	135	72	25	8,4	6,3	119	30	2,5	60

Type Y antivibration mounting with two white zinked plates.

Uses:

- Generators
- Electric Motors
- Instruments
- Agricultural Machineries



Code	Hardness Shore	M mm	T mm	O mm	C mm	ØA mm	P mm	F mm	G mm	H mm	S mm	Load* (daN)
5600/45	45	59	60	25	9	6,5	9,5	14	10	30	2	13
5600/55	55	59	60	25	9	6,5	9,5	14	10	30	2	24
5600/65	65	59	60	25	9	6,5	9,5	14	10	30	2	30

\* Under compression

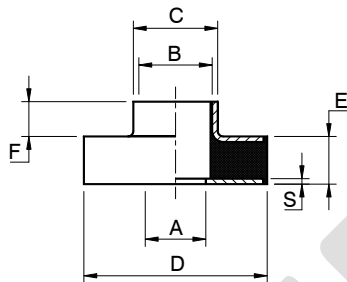
## Safeted Mounts

Uses:

- Generators
- Instruments
- Agricultural Machineries



Antivibration mounting with two white zinked washers and a central rubber core. It is ideal for supporting shearing and compressive stress.



Code	Hardness Shore	A mm	B mm	C mm	D mm	E mm	F mm	S mm	Load* (daN)
5000/45	45	8,5	12	18	36	10	4	1,5	60
5000/55	55	8,5	12	18	36	10	4	1,5	110
5000/65	65	8,5	12	18	36	10	4	1,5	150
5001/45	45	16,6	16,6	20	36	8	3	1,5	60
5001/55	55	16,6	16,6	20	36	8	3	1,5	110
5001/65	65	16,6	16,6	20	36	8	3	1,5	150
5002/45	45	16,5	20	23	50	13	9,5	1,5	160
5002/55	55	16,5	20	23	50	13	9,5	1,5	220
5002/65	65	16,5	20	23	50	13	9,5	1,5	270
5003/45	45	20,5	24	27	60	13	10,5	1,5	280
5003/55	55	20,5	24	27	60	13	10,5	1,5	370
5003/65	65	20,5	24	27	60	13	10,5	1,5	430
5004/55	55	21	24	27	60	30	4	1,5	245

## Rubber Plates

Punched or vulcanized black plate in natural rubber. It can be produced on customers' request.

Uses:

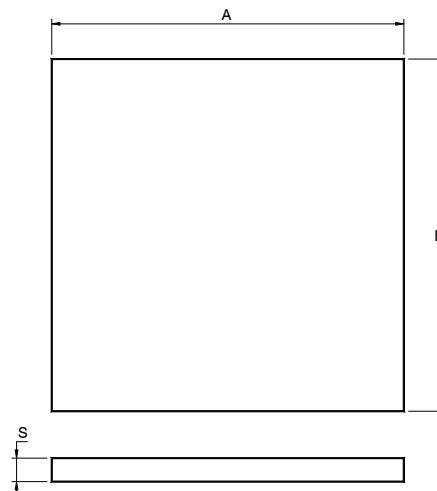
- Generators
- Instruments
- Agricultural Machineries



Max sizes: width 1.300mm, length 10.000 mm and thickness 2÷6 mm.

Standard hardness 65±5 shore.

On request: 40 to 95 shore.



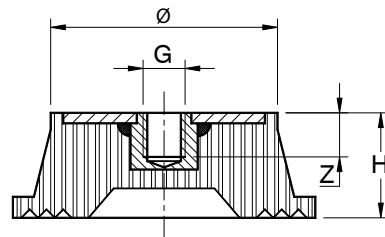
\*Under compression

## "Sucker" Antivibration Feet

### Type PV

Uses:

- Compressors
- Electric motors



Antivibration feet with a fastening nut and white zinking.

Code	Ø mm	H mm	G	Z mm	Max Load* (daN)
325	30	20	M8	7	25
326	55	25	M8	7	85
331	75	50	M12	10	159
332	100	50	M16	16	282
333	125	70	M16	18	440

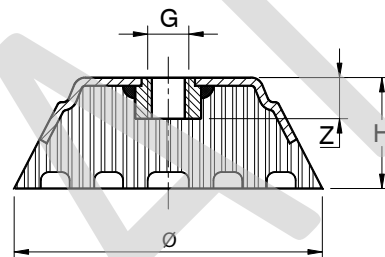
Standard hardness 55 shore  
On request 45/55/65 shore  
\* Under compression

## Antivibration Feet for Machine Tools

### Type F

Uses:

- Machine tools



Antivibration feet with a fastening nut and white zinking.

Code	Ø mm	H mm	G	Z mm	Max Load* (daN)
2101	75	25	M10	12	300
2102	100	30	M12	12	550
2103	125	40	M16	16	860
2104	150	50	M16	16	1230

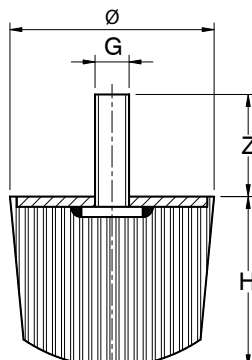
Standard hardness 70 shore  
On request 45/55/65 shore  
\* Under compression

## Conical - Trunk/Buffers

### Type PT

Uses:

- Bump stop



Antivibration mountings with a fastening screw and white zinking.

Code	Ø mm	H mm	G	Z mm	Max Load* (daN)
529	60	50	M12	40	170
530	80	60	M12	40	302
531	100	76	M16	47	471

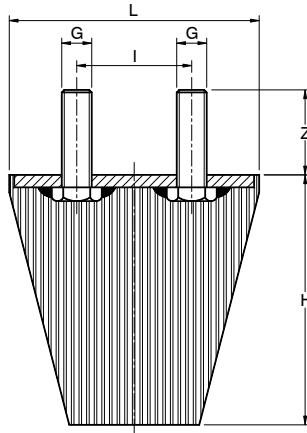
Standard hardness 75 shore  
On request 45/55/65 shore  
\* Under compression

## Antivibration Feet with a Square Base

### Type PQ

Uses:

- Generators
- Industrial refrigerators



Antivibration feet with two fastening screws.

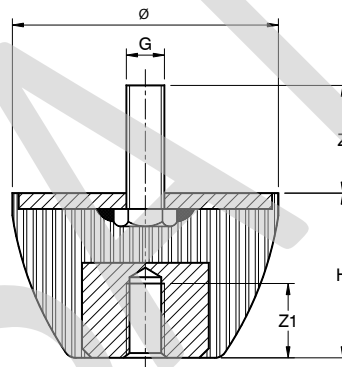
Code	L mm	H mm	I mm	∇	Z mm
633	100	100	48	M12	35
634	125	125	50	M16	45

On request 45/55/65 shore  
Standard hardness 75 shore

## "Sea" Antivibration Mountings

Uses:

- Sea motors



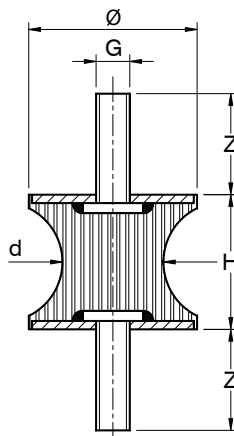
Antivibration mountings with a fastening nut and a fastening screw.

Code	Ø mm	H mm	G	Z mm	Z1 mm
735	80	50	M12/12	40	28
736	110	75	M16/16	65	34

On request 45/55/75 shore  
Standard hardness 65 shore

Uses:

- Sea motors



Antivibration mountings with two fastening screws and white zinking.

Code	Ø mm	d mm	H mm	G	Z mm
737	80	70	70	M14	37

On request 45/55/75 shore  
Standard hardness 65 shore