

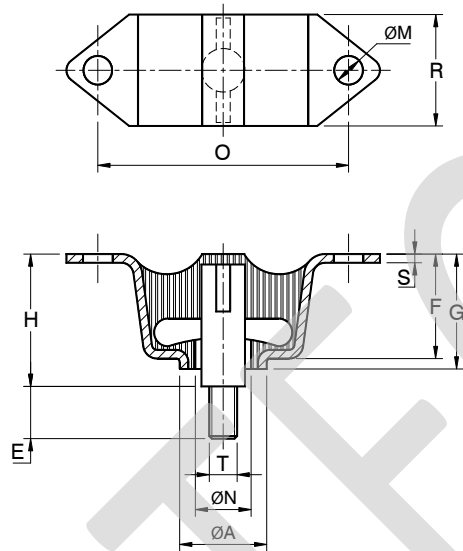
## Antivibration Mountings for Ceiling

### Uses:

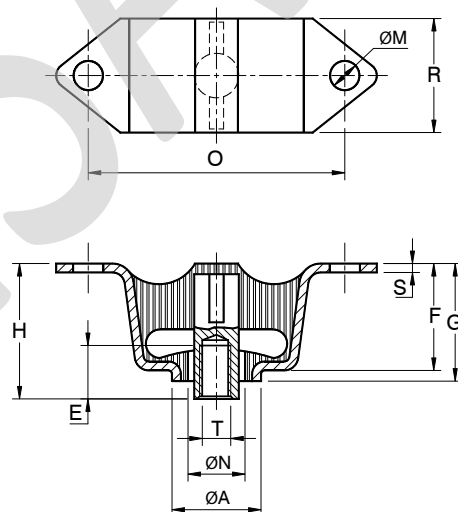
- Generators
- Electric Motors
- Instruments
- Agricultural Machineries



This metal to rubber bonded antivibration mounting can be used for applications on ceiling. Thanks to a central metal plate, it is highly resistant to a tensile stress, and ideal for supporting violent tearings.



Code	Hardness Shore A	O mm	R mm	ØM mm	ØA mm	ØN mm	T mm	H mm	E mm	S mm	F mm	G mm	Load* daN	Setting mm
7800/45	45	72	32	8,5	25	16	M8	38	15	2,5	30	33	60	9
7800/60	60	72	32	8,5	25	16	M8	38	15	2,5	30	33	100	9
7800/70	70	72	32	8,5	25	16	M8	38	15	2,5	30	33	150	9



Code	Hardness Shore A	O mm	R mm	ØM mm	ØA mm	ØN mm	T mm	H mm	E mm	S mm	F mm	G mm	Load* daN	Setting mm
7801/45	45	72	32	8,5	25	16	M8	38	15	2,5	30	33	60	9
7801/60	60	72	32	8,5	25	16	M8	38	15	2,5	30	33	100	9
7801/70	70	72	32	8,5	25	16	M8	38	15	2,5	30	33	150	9

\* Under tensile stress

## Technical Articles on Drawing

Thanks to forty-year experience in the field of antivibration mountings, manufactures industrial articles and metal/rubber items on drawing for several applications. Here below you can see some of them developed and produced during these years in order to fulfil our own customers' request. Our technical department, by the help of a powerful designing software, PRO-ENG, gives customers "key in hand" as to offer them solutions starting from the very first step of antivibration mountings project to reverse engineering.

### OUR MAIN APPLICATION FIELDS:

Spare parts for earthmoving machines  
"Special" items for hydraulic breakers  
Supports for waste collection machines  
Supports for bio-medical machines  
"Special" mounts by polyurethane



BUILDING



AGRICULTURE



NAVAL



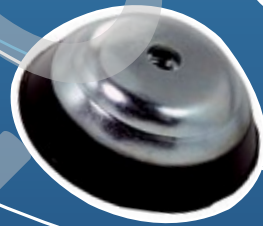
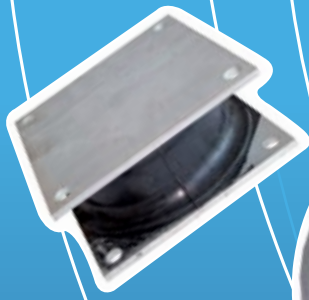
AUTOMOTIVE



INDUSTRY



**DO NOT HESITATE TO GET IN TOUCH  
WITH US FOR AN ENQUIRY!**



FISATECH